

TOBY-L2 series

LTE/DC-HSPA+/EGPRS modules

Data Sheet

Abstract

Technical data sheet describing TOBY-L2 series multi-mode cellular modules. The modules are a complete and cost efficient LTE/3G/2G multi-mode solution offering up to 150 Mb/s download data rate and up to 50 Mb/s upload data rate, covering up to six LTE bands, up to five WCDMA/DC-HSPA+ bands and up to four GSM/EGPRS bands in the compact TOBY form factor.



Document Information	
Title	TOBY-L2 series
Subtitle	LTE/DC-HSPA+/EGPRS modules
Document type	Data Sheet
Document number	UBX-13004573
Revision and date	R20 21-Dec-2016
Disclosure restriction	

Product Status	Corresponding content status	
Functional Sample	Draft	For functional testing. Revised and supplementary data will be published later.
In Development / Prototype	Objective Specification	Target values. Revised and supplementary data will be published later.
Engineering Sample	Advance Information	Data based on early testing. Revised and supplementary data will be published later.
Initial Production	Early Prod. Information	Data from product verification. Revised and supplementary data may be published later.
Mass Production / End of Life	Production Information	Final product specification.

This document applies to the following products:

Name	Type number	Modem version	Application version	PCN reference	Product Status
TOBY-L200	TOBY-L200-00S-00	09.71	A01.15	UBX-14044437	End of Life
	TOBY-L200-00S-01	09.71	A01.30	UBX-16026448	Mass Production
	TOBY-L200-02S-00	15.90	A01.00	UBX-15029946	Mass Production
	TOBY-L200-02S-01	15.90	TBD	UBX-16031212	Mass Production
TOBY-L201	TOBY-L201-01S-00	09.93	A01.07	UBX-15021135	Mass Production
	TOBY-L201-02S-00	09.93	A01.20	UBX-16022569	Engineering Sample
TOBY-L210	TOBY-L210-00S-00	09.71	A01.15	UBX-14044437	Mass Production
	TOBY-L210-02S-00	15.63	A01.03	UBX-15029946	Mass Production
	TOBY-L210-02S-01	15.63	TBD	UBX-16031212	Mass Production
	TOBY-L210-60S-00	09.94	A01.00	UBX-15021694	End of Life
	TOBY-L210-60S-01	09.94	A01.01	UBX-16005471	Mass Production
	TOBY-L210-62S-00	16.05	A01.02	UBX-16031182	Engineering Sample
TOBY-L220	TOBY-L220-02S-00	15.93	A01.00	UBX-16025501	Initial Production
TOBY-L280	TOBY-L280-02S-00	15.63	A01.03	UBX-15029946	Mass Production
	TOBY-L280-02S-01	15.63	TBD	UBX-16031212	Mass Production

u-blox reserves all rights to this document and the information contained herein. Products, names, logos and designs described herein may in whole or in part be subject to intellectual property rights. Reproduction, use, modification or disclosure to third parties of this document or any part thereof without the express permission of u-blox is strictly prohibited.

The information contained herein is provided "as is" and u-blox assumes no liability for the use of the information. No warranty, either express or implied, is given, including but not limited, with respect to the accuracy, correctness, reliability and fitness for a particular purpose of the information. This document may be revised by u-blox at any time. For most recent documents, please visit www.u-blox.com.

Copyright © 2016, u-blox AG.

u-blox® is a registered trademark of u-blox Holding AG in the EU and other countries.

Trademark Notice

Microsoft and Windows are either registered trademarks or trademarks of Microsoft Corporation in the United States and/or other countries. All other registered trademarks or trademarks mentioned in this document are property of their respective owners.

Contents

Contents.....	3
1 Functional description.....	5
1.1 Overview	5
1.2 Product features	5
1.3 Block diagram.....	6
1.4 Product description.....	7
1.5 AT command support.....	8
1.6 Supported features.....	9
2 Interfaces	11
2.1 Power management	11
2.1.1 Module supply input (VCC)	11
2.1.2 RTC supply input / output (V_BCKP)	11
2.1.3 Generic digital interfaces supply output (V_INT).....	11
2.2 Antenna interfaces	11
2.2.1 Antenna RF interfaces	11
2.2.2 Antenna detection	11
2.3 System functions	11
2.3.1 Module power-on	11
2.3.2 Module power-off.....	12
2.3.3 Module reset.....	12
2.3.4 Module configuration selection by host processor	12
2.4 SIM.....	13
2.4.1 SIM interface.....	13
2.4.2 SIM detection.....	13
2.5 Serial communication	13
2.5.1 UART interface	13
2.5.2 USB interface	15
2.5.3 DDC (I ² C) interface	16
2.5.4 SDIO interface	16
2.6 Audio	16
2.7 GPIO.....	17
3 Pin definition	18
3.1 Pin assignment	18
4 Electrical specifications	23
4.1 Absolute maximum rating	23
4.1.1 Maximum ESD.....	23
4.2 Operating conditions	24

4.2.1	Operating temperature range.....	24
4.2.2	Supply/power pins.....	24
4.2.3	Current consumption.....	25
4.2.4	LTE RF characteristics.....	26
4.2.5	3G RF characteristics.....	28
4.2.6	2G RF characteristics.....	29
4.2.7	ANT_DET pin.....	29
4.2.8	PWR_ON pin.....	30
4.2.9	RESET_N pin.....	30
4.2.10	SIM pins.....	31
4.2.11	USB pins.....	31
4.2.12	Generic Digital Interfaces pins.....	32
4.2.13	DDC (I ² C) pins.....	33
4.3	Parameters for ATEX applications.....	34
5	Mechanical specifications.....	35
6	Qualification and approvals.....	36
6.1	Reliability tests.....	36
6.2	Approvals.....	36
7	Product handling & soldering.....	37
7.1	Packaging.....	37
7.1.1	Reels.....	37
7.1.2	Tapes.....	38
7.2	Moisture Sensitivity Levels.....	39
7.3	Reflow soldering.....	39
7.4	ESD precautions.....	39
8	Default settings.....	40
9	Labeling and ordering information.....	41
9.1	Product labeling.....	41
9.2	Explanation of codes.....	41
9.3	Ordering information.....	43
	Appendix.....	44
A	Glossary.....	44
	Related documents.....	46
	Revision history.....	47
	Contact.....	48

1 Functional description

1.1 Overview

The TOBY-L2 series comprises LTE/3G/2G multi-mode modules in the very small LGA form-factor (35.6 x 24.8 mm) that are easy to integrate in compact designs.

TOBY-L2 series modules support up to six LTE bands, five UMTS/DC-HSPA+ bands and four GSM/(E)GPRS bands for voice and/or data transmission.

TOBY-L2 series modules are form-factor compatible with the other popular u-blox cellular module families: this allows customers to take the maximum advantage of their hardware and software investments, and provides very short time-to-market.

With LTE category 4 data rates at up to 150 Mb/s (downlink) and 50 Mb/s (uplink), the modules are ideal for applications requiring the highest data-rates and high-speed internet access. TOBY-L2 series modules are the perfect choice for consumer fixed-wireless terminals, mobile routers and gateways, and applications requiring video streaming. They are also optimally suited for industrial (M2M) applications, such as remote access to video cameras, digital signage, telehealth, and security and surveillance systems.

1.2 Product features

Module	LTE	UMTS	GSM	Interfaces	Audio	Features	Grade
	LTE FDD category Bands	HSDPA category HSUPA category Bands	GPRS/EDGE multi-slot class Bands	UART USB 2.0 SDIO (Master) DDC (I ² C) GPIOs	Analog audio Digital audio	Network indication Antenna supervisor MIMO 2x2 / Rx Diversity Jamming detection Embedded TCP/UDP stack Embedded HTTP,FTP FOTA Dual stack IPv4/IPv6	Standard Professional Automotive
TOBY-L200	4 2,4,5 7,17	24 6 850/900 AWS 1900/2100	12 Quad	◆ ● ◆ ◆ ◆	◆	● ◆ ● F ◆ ◆ ◆ ●	Professional
TOBY-L201	4 2,4,5 13,17	24 6 850/1900		● ● ◆ ◆		● ◆ ● F ● ● ● ●	Professional
TOBY-L210	4 1,3,5 7,8,20	24 6 850/900 1900/2100	12 Quad	◆ ● ■ ■ ■	■	● ■ ● F ■ ■ ■ ●	Automotive
TOBY-L220	4 1,3,5 8,19	24 6 850/900 2100		● ● ● ● ●	●	● ● ● F ● ● ● ●	Professional
TOBY-L280	4 1,3,5 7,8,28	24 6 850/900 1900/2100	12 Quad	● ● ● ● ●	●	● ● ● F ● ● ● ●	Professional

● = supported by all product versions

◆ = supported by all product versions except version "00", "01"

■ = supported by all product versions except versions "00", "60"

F = supported by future product versions

Table 1: TOBY-L2 series main features summary

1.3 Block diagram

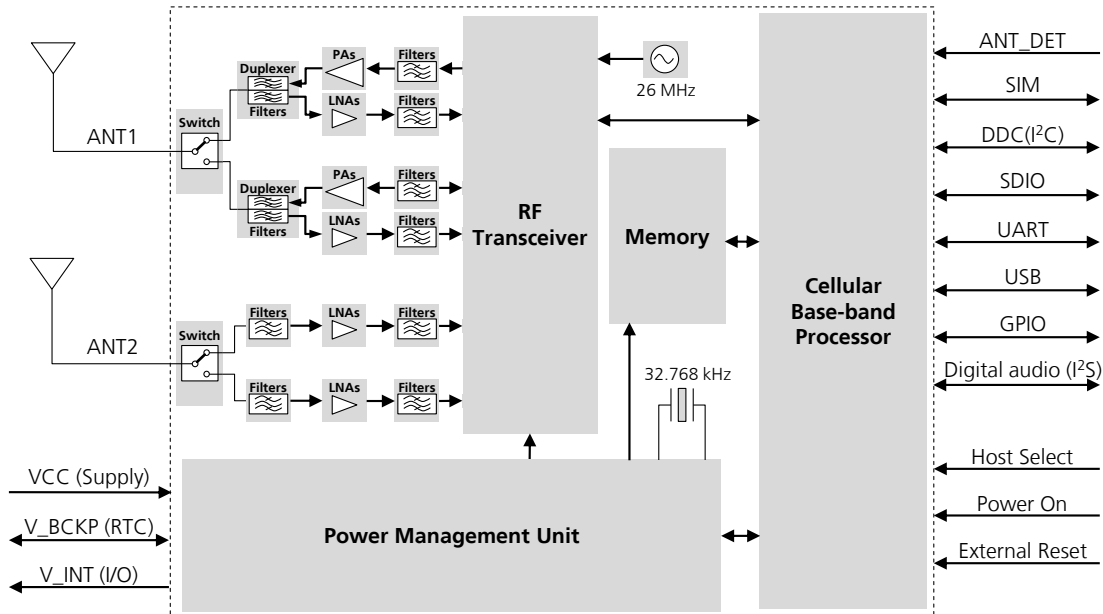


Figure 1: TOBY-L2 series block diagram



All the TOBY-L2 series modules product versions do not support the following interfaces, which should be left unconnected and should not be driven by external devices:

- VBUS USB detect (VUSB_DET)
- Host Select functions

TOBY-L200-00S and TOBY-L210-00S modules, i.e. the “00” product versions, do not support also the following interfaces, which should be left unconnected and should not be driven by external devices:

- UART interface
- SDIO interface
- DDC (I²C) interface
- I²S digital audio interface
- Antenna detection (ANT_DET)
- General Purpose Inputs / Outputs (GPIO)

TOBY-L201-01S and TOBY-L210-60S modules, i.e. the “01” and “60” product versions, do not support also the following interfaces, which should be left unconnected and not be driven by external devices:

- SDIO interface
- DDC (I²C) interface
- I²S digital audio interface
- Antenna detection (ANT_DET)
- General Purpose Inputs / Outputs (GPIO)

TOBY-L201-02S modules do not support also the following interfaces, which should be left unconnected and should not be driven by external devices:

- DDC (I²C) interface
- I²S digital audio interface

1.4 Product description

TOBY-L2 series modules provide 4G LTE, 3G WCDMA/DC-HSPA+, 2G GSM/(E)GPRS multi-mode technology:

- TOBY-L200 and TOBY-L201 are mainly designed for operation in America
- TOBY-L210 is mainly designed for operation in Europe, Asia and other countries
- TOBY-L220 is mainly designed for operation in Japan
- TOBY-L280 is mainly designed for operation in south-east Asia and Oceania

4G LTE	3G UMTS/HSDPA/HSUPA	2G GSM/GPRS/EDGE
3GPP Release 9 Long Term Evolution (LTE) Evolved Uni.Terrestrial Radio Access (E-UTRA) Frequency Division Duplex (FDD) DL Multi-Input Multi-Output (MIMO) 2 x 2	3GPP Release 8 Dual-Cell HS Packet Access (DC-HSPA+) UMTS Terrestrial Radio Access (UTRA) Frequency Division Duplex (FDD) DL Rx diversity	3GPP Release 8 Enhanced Data rate GSM Evolution (EDGE) GSM EGPRS Radio Access (GERA) Time Division Multiple Access (TDMA) DL Advanced Rx Performance Phase 1
Band support ¹ : <ul style="list-style-type: none"> • TOBY-L200: <ul style="list-style-type: none"> • Band 17 (700 MHz) • Band 5 (850 MHz) • Band 4 (1700 MHz) • Band 2 (1900 MHz) • Band 7 (2600 MHz) • TOBY-L201: <ul style="list-style-type: none"> • Band 17 (700 MHz) • Band 13 (750 MHz) • Band 5 (850 MHz) • Band 4 (1700 MHz) • Band 2 (1900 MHz) • TOBY-L210: <ul style="list-style-type: none"> • Band 20 (800 MHz) • Band 5 (850 MHz) • Band 8 (900 MHz) • Band 3 (1800 MHz) • Band 1 (2100 MHz) • Band 7 (2600 MHz) • TOBY-L220: <ul style="list-style-type: none"> • Band 19 (850 MHz) • Band 5 (850 MHz) • Band 8 (900 MHz) • Band 3 (1800 MHz) • Band 1 (2100 MHz) • TOBY-L280: <ul style="list-style-type: none"> • Band 28 (750 MHz) • Band 5 (850 MHz) • Band 8 (900 MHz) • Band 3 (1800 MHz) • Band 1 (2100 MHz) • Band 7 (2600 MHz) 	Band support: <ul style="list-style-type: none"> • TOBY-L200: <ul style="list-style-type: none"> • Band 5 (850 MHz) • Band 8 (900 MHz) • Band 4 (AWS, i.e. 1700 MHz) • Band 2 (1900 MHz) • Band 1 (2100 MHz) • TOBY-L201: <ul style="list-style-type: none"> • Band 5 (850 MHz) • Band 2 (1900 MHz) • TOBY-L210: <ul style="list-style-type: none"> • Band 5 (850 MHz) • Band 8 (900 MHz) • Band 2 (1900 MHz) • Band 1 (2100 MHz) • TOBY-L220: <ul style="list-style-type: none"> • Band 19 (850 MHz) • Band 8 (900 MHz) • Band 1 (2100 MHz) • TOBY-L280: <ul style="list-style-type: none"> • Band 5 (850 MHz) • Band 8 (900 MHz) • Band 2 (1900 MHz) • Band 1 (2100 MHz) 	Band support <ul style="list-style-type: none"> • TOBY-L200: <ul style="list-style-type: none"> • GSM 850 MHz • E-GSM 900 MHz • DCS 1800 MHz • PCS 1900 MHz • TOBY-L210: <ul style="list-style-type: none"> • GSM 850 MHz • E-GSM 900 MHz • DCS 1800 MHz • PCS 1900 MHz • TOBY-L280: <ul style="list-style-type: none"> • GSM 850 MHz • E-GSM 900 MHz • DCS 1800 MHz • PCS 1900 MHz

¹ TOBY-L2 series modules support all the E-UTRA channel bandwidths for each operating band according to 3GPP TS 36.521-1 [10].

4G LTE	3G UMTS/HSDPA/HSUPA	2G GSM/GPRS/EDGE
LTE Power Class <ul style="list-style-type: none"> Power Class 3 (23 dBm) for LTE mode 	WCDMA/HSDPA/HSUPA Power Class <ul style="list-style-type: none"> Power Class 3 (24 dBm) for UMTS/HSDPA/HSUPA mode 	GSM/GPRS (GMSK) Power Class <ul style="list-style-type: none"> Power Class 4 (33 dBm) for GSM/E-GSM bands Power Class 1 (30 dBm) for DCS/PCS bands EDGE (8-PSK) Power Class <ul style="list-style-type: none"> Power Class E2 (27 dBm) for GSM/E-GSM bands Power Class E2 (26 dBm) for DCS/PCS bands
Data rate <ul style="list-style-type: none"> LTE category 4: up to 150 Mb/s DL, 50 Mb/s UL 	Data Rate <ul style="list-style-type: none"> TOBY-L200 and TOBY-L201: <ul style="list-style-type: none"> HSDPA cat. 14, up to 21 Mb/s DL² HSUPA cat. 6, up to 5.6 Mb/s UL TOBY-L210, TOBY-L220 and TOBY-L280: <ul style="list-style-type: none"> HSDPA cat. 24, up to 42 Mb/s DL HSUPA cat. 6, up to 5.6 Mb/s UL 	Data Rate ³ <ul style="list-style-type: none"> GPRS multi-slot class 12⁴, CS1-CS4, up to 85.6 kb/s DL/UL EDGE multi-slot class 12⁴, MCS1-MCS9, up to 236.8 kb/s DL/UL

Table 2: TOBY-L2 series LTE, 3G and 2G characteristics

TOBY-L2 modules provide Voice over LTE (VoLTE)⁵ as well as Circuit-Switched-Fall-Back (CSFB)⁶ audio capability.

1.5 AT command support

The TOBY-L2 series modules support AT commands according to 3GPP standards TS 27.007 [7], TS 27.005 [8] and the u-blox AT command extension.



For the complete list of all supported AT commands and their syntax, see the u-blox AT Commands Manual [1].

RIL (Radio Interface Layer) software for Android is available for TOBY-L2 series modules free of charge; see the Android RIL Production delivery [3] application note for the supported software deliveries and more information.

² HSDPA category 24 capable

³ GPRS/EDGE multi-slot class determines the number of timeslots available for upload and download and thus the speed at which data can be transmitted and received, with higher classes typically allowing faster data transfer rates.

⁴ GPRS/EDGE multi-slot class 12 implies a maximum of 4 slots in DL (reception) and 4 slots in UL (transmission) with 5 slots in total.

⁵ Not supported by "00", "01", "02", "60" and "62" product versions.

⁶ Not supported by "00", "01", "60" and TOBY-L201-025 product versions.

1.6 Supported features

Table 3 lists some of the main features supported by TOBY-L2 modules. For more details see TOBY-L2 / MPC1-L2 series System Integration Manual [2] and u-blox AT Commands Manual [1].

Feature	Description
Network Indication ⁷	GPIO configured to indicate the network status: registered home network, registered roaming, voice or data call enabled, no service. The feature can be enabled through the +UGPIOC AT command.
Antenna Detection ⁸	The ANT_DET pin provides antenna presence detection capability, evaluating the resistance from ANT1 and ANT2 pins to GND by means of an external antenna detection circuit implemented on the application board. The antenna supervisor (i.e. antenna detection) feature can be enabled through the +UANTR AT command.
Jamming Detection ⁹	Detects "artificial" interference that obscures the operator's carriers entitled to give access to the radio service and reports the start and stop of such conditions to the application processor (AP). The feature can be enabled and configured through the +UCD AT command.
Embedded TCP and UDP stack ¹⁰	Embedded TCP/IP and UDP/IP stack including direct link mode for TCP and UDP sockets. Sockets can be set in Direct Link mode to establish a transparent end to end communication with an already connected TCP or UDP socket via serial interface.
FTP ¹⁰ , FTPS ¹¹	File Transfer Protocol as well as Secure File Transfer Protocol (SSL encryption of FTP control channel) functionalities are supported via AT commands.
HTTP ¹⁰ , HTTPS ¹¹	Hyper-Text Transfer Protocol as well as Secure Hyper-Text Transfer Protocol (SSL encryption) functionalities are supported via AT commands. HEAD, GET, POST, DELETE and PUT operations are available.
Embedded TLS 1.2 ¹¹	With the support of X.509 certificates, Embedded TLS 1.2 provides server and client authentication, data encryption, data signature and enables TCP/IP applications like HTTPS and FTPS to communicate over a secured and trusted connection. The feature can be configured and enabled by +USECMNG and +USECPRF AT commands.
DNS ¹⁰	Support for DNS functionality.
Dual stack IPv4/IPv6	Both Internet Protocol version 4 and Internet Protocol version 6 are supported in parallel.
BIP ¹⁰	Bearer Independent Protocol for Over-the-Air SIM provisioning. The data transfer to/from the SIM uses either an already active PDP context or a new PDP context established with the APN provided by the SIM card.
Multiple PDP contexts	Up to 8 PDP contexts can be activated, and multi secondary PDP contexts be associated to a primary PDP context.
SMS via IMS ¹²	Allows SMS via embedded IP Multimedia Subsystem (IMS).
VoLTE ¹³ and CSFB ¹¹	Voice over LTE (VoLTE) feature allows voice service over LTE bearer, via embedded IP Multimedia Subsystem (IMS). Circuit Switched Fall-Back (CSFB) feature allows voice service over circuit switched infrastructure (3G).
DTMF decoder ¹¹	During a voice call, the Dual-Tone Multi-Frequency detector analyses the RX speech (coming from the remote party). The detected DTMF symbols can be output via the related URC. For more details, see the +UDTMFD AT command.
Firmware update Over AT commands (FOAT)	Firmware module update over AT command interfaces (UART, USB). The feature can be enabled and configured through the +UFWUPD AT command.
Firmware update Over The Air (FOTA) ¹⁰	Firmware module update over the LTE/3G/2G air interface. The feature can be enabled and configured through the +UFWINSTALL AT command.
LTE DL MIMO 2x2 and 3G DL Rx Diversity	Improved cellular link quality and reliability on all operating bands.

⁷ Wireless Wide Area Network status indication is permanently configured on the **GPIO1** pin of "00", "01" and "60" product versions.

⁸ Not supported by "00", "01" and "60" product versions.

⁹ Not supported by "00", "01", "02", "60" and "62" product versions.

¹⁰ Not supported by "00" and "60" product versions.

¹¹ Not supported by "00", "01", "60" and TOBY-L201-02S product versions.

¹² Not supported by "00", "60", TOBY-L200-02S, TOBY-L210-02S, TOBY-L210-62S, TOBY-L220-02S and TOBY-L280-02S product versions.

¹³ Not supported by "00", "01", "02", "60" and "62" product versions.


Feature	Description
Wi-Fi via modem ¹⁴	<p>Full access to u-blox short range communication Wi-Fi modules is available through a dedicated SDIO interface. This means that from any host processor a single serial port can control the cellular module and the short range communication module.</p> <p>All the management software for the Wi-Fi module operations runs inside the cellular module in addition to those required for cellular-only operation: Wi-Fi driver, Web User Interface (WebUI), Connection Config Manager, Wi-Fi regional regulatory domains block feature.</p> <p>For more details see the Wi-Fi / Cellular Integration Application Note [5].</p>
Smart Temperature Supervisor ¹⁴	<p>Constant monitoring of the module board temperature:</p> <ul style="list-style-type: none"> • Warning notification when the temperature approaches an upper or lower predefined threshold • Shutdown notified and forced when the temperature value is outside the specified range (shutdown suspended in case of an emergency call in progress) <p>The Smart Temperature Supervisor feature can be enabled and configured through the +USTS AT command.</p> <p> The sensor measures board temperature, which can differ from ambient temperature.</p>
Power saving	<p>The power saving configuration is by default disabled, but it can be enabled and configured using the +UPSV AT command. When the power saving is enabled, the module automatically enters the low power idle-mode whenever possible, reducing current consumption.</p> <p>During idle-mode, the module processor core runs with the RTC 32 kHz reference clock, which is generated by the internal 32 kHz oscillator.</p>
Fast Dormancy	<p>The Fast Dormancy feature, defined in 3GPP Rel.8, allows reduction of current consumption and network utilization during periods of data inactivity. It can be activated and configured by +UFDAC and +UDCONF=61 AT commands.</p>

Table 3: Some of the main features supported by TOBY-L2 series modules

¹⁴ Not supported by "00", "01" and "60" product versions.

2 Interfaces

2.1 Power management

2.1.1 Module supply input (VCC)

TOBY-L2 series modules must be supplied through the **VCC** pins by a DC power supply. Voltage must be stable, because during operation the current drawn from **VCC** can vary significantly, based on the power consumption profile of the LTE/3G/2G technologies (described in the TOBY-L2 / MPCI-L2 series System Integration Manual [2]).

2.1.2 RTC supply input / output (V_BCKP)

When **VCC** voltage is within the valid operating range, the internal Power Management Unit (PMU) supplies the Real Time Clock (RTC) and the same supply voltage is available on the **V_BCKP** pin. If the **VCC** voltage is under the minimum operating limit (e.g. during not powered mode), the **V_BCKP** pin can externally supply the RTC.

2.1.3 Generic digital interfaces supply output (V_INT)

TOBY-L2 series modules provide a 1.8 V supply rail output on the **V_INT** pin, which is internally generated when the module is switched on. The same voltage domain is used internally to supply the generic digital interfaces of the modules. The **V_INT** supply output can be used in place of an external discrete regulator.

2.2 Antenna interfaces

2.2.1 Antenna RF interfaces

The modules have two RF pins with a characteristic impedance of 50 Ω . The primary antenna pin (**ANT1**) supports both Tx and Rx, providing the main antenna interface, while the secondary antenna pin (**ANT2**) supports Rx only for the LTE MIMO 2x2 and 3G Rx diversity configurations.

2.2.2 Antenna detection



The antenna detection is not supported by "00", "01" and "60" product versions.

The **ANT_DET** pin is an Analog to Digital Converter (ADC) input with a current source provided by TOBY-L2 modules to sense the antenna presence (as an optional feature). It evaluates the resistance from **ANT1** and **ANT2** pins to GND by means of an external antenna detection circuit implemented on the application board. (For more details, see the TOBY-L2 / MPCI-L2 series System Integration Manual [2] and the u-blox AT Commands Manual [1].)

2.3 System functions

2.3.1 Module power-on

TOBY-L2 series can be switched on in one of the following ways:

- Rising edge on the **VCC** pin to a valid voltage for module supply, i.e. applying module supply
- Low level on the **PWR_ON** pin, which is normally set high by an internal pull-up, for a valid time period when the applied **VCC** voltage is within the valid operating range (see section 4.2.8). The **PWR_ON** line should be driven by open drain, open collector or contact switch.

- Low level on the **RESET_N** pin, which is normally set high by an internal pull-up, for a valid time period when the applied **VCC** voltage is within the valid operating range (see section 4.2.9). The **RESET_N** line should be driven by open drain, open collector or contact switch.
- RTC alarm, i.e. pre-programmed scheduled time by AT+CALA command

2.3.2 Module power-off

TOBY-L2 series can be properly switched off by:

- AT+CPWROFF command (see the u-blox AT Commands Manual [1]). The current parameter settings are saved in the module's non-volatile memory and a proper network detach is performed.

An abrupt under-voltage shutdown occurs on TOBY-L2 series modules when the **VCC** supply is removed. If this occurs, it is not possible to store the current parameter settings in the module's non-volatile memory or to perform the proper network detach.

An abrupt shutdown occurs on TOBY-L2 series modules when a low level is applied on the **RESET_N** pin, which is normally set high by an internal pull-up, for a valid time period (see the section 4.2.9). This causes an abrupt shutdown of the module: the current parameter settings are not saved in the module's non-volatile memory and a proper network detach is not performed.

An over-temperature or an under-temperature shutdown occurs on TOBY-L2 modules when the temperature measured within the cellular module reaches the dangerous area, if the optional Smart Temperature Supervisor feature is enabled and configured by the dedicated AT command. For more details see the TOBY-L2 / MPC1-L2 series System Integration Manual [2] and the u-blox AT Commands Manual [1], +USTS AT command.



Smart Temperature Supervisor is not supported by "00", "01" and "60" product versions.

2.3.3 Module reset

TOBY-L2 series modules can be reset (rebooted) by:

- AT+CFUN command (see the u-blox AT Commands Manual [1]). This causes an "internal" or "software" reset of the module. The current parameter settings are saved in the module's non-volatile memory and a proper network detach is performed.

An abrupt "external" or "hardware" reset occurs when a low level is applied to the **RESET_N** pin, which is normally set high by an internal pull-up, for a valid time period (see the section 4.2.9). This causes an "external" or "hardware" reset of the module. The current parameter settings are not saved in the module's non-volatile memory and a proper network detach is not performed. The **RESET_N** line should be driven by open drain, open collector or contact switch.

2.3.4 Module configuration selection by host processor



The selection of the module configuration by the host application processor over **HOST_SELECT0** and **HOST_SELECT1** pins is not supported by all the TOBY-L2 series modules product versions.

TOBY-L2 series modules include two input pins (**HOST_SELECT0**, **HOST_SELECT1**) for the selection of the module configuration by the host application processor.

2.4 SIM

2.4.1 SIM interface

A SIM card interface is provided on the **VSIM**, **SIM_IO**, **SIM_CLK**, **SIM_RST** pins: the high-speed SIM/ME interface is implemented as well as the automatic detection of the required SIM supporting voltage.

Both 1.8 V and 3 V SIM types are supported (1.8 V and 3 V ME). Activation and deactivation with automatic voltage switch from 1.8 V to 3 V is implemented, according to ISO-IEC 7816-3 specifications. The SIM driver supports the PPS procedure for baud-rate selection, according to the values proposed by the SIM card/chip.

2.4.2 SIM detection



The SIM detection is not supported by "00", "01" and "60" product versions.

TOBY-L2 series modules provide the SIM detection function over GPIO to sense the SIM card physical presence (as an optional feature) when the specific GPIO pin of the module is properly connected to the mechanical switch of the SIM card holder (for more details see the TOBY-L2 / MPCI-L2 series System Integration Manual [2]).

2.5 Serial communication

TOBY-L2 series provides the following serial communication interfaces:

- UART interface: asynchronous serial interface available for the communication with a DTE host application processor (AT commands, data communication, FW update by means of FOAT) and for diagnostic
- USB interface: High-Speed USB 2.0 compliant interface available for the communication with a USB host application processor (AT commands, data communication, FW update by means of the FOAT feature), for FW update by means of the u-blox EasyFlash tool and for diagnostic
- DDC interface: I²C bus compatible interface available for the communication with external I²C devices
- SDIO interface: Secure Digital Input Output interface available for the communication with an external u-blox short range communication Wi-Fi module

2.5.1 UART interface



The UART interface is not supported by "00" modules product versions.

TOBY-L2 series modules include a 9-wire unbalanced asynchronous serial interface (UART) for communication with an application host processor (AT commands, data communication, FW update by means of the FOAT feature) and for diagnostic purpose.

UART features are:

- Complete serial port with RS-232 functionality conforming to the ITU-T V.24 Recommendation [13], with CMOS compatible signal levels (0 V for low data bit or ON state and 1.8 V for high data bit or OFF state)
- Data lines (**RXD** as output, **TXD** as input), hardware flow control lines (**CTS** as output, **RTS** as input), modem status and control lines (**DTR** as input, **DSR** as output, **DCD** as output, **RI** as output) are provided
- Hardware flow control (default value), software flow control, or none flow control are supported



Software flow control is not supported by "00", "01", "60" and TOBY-L201-02S product versions.

- Power saving indication available on the hardware flow control output (**CTS** line): the line is driven to the OFF state when the module is not prepared to accept data by the UART interface
- Power saving control over the **RTS** input or the **DTR** input can be enabled via AT+UPSV command (for more details see u-blox AT Commands Manual [1] and TOBY-L2 / MPCI-L2 series System Integration Manual [2])
- The following baud rates are supported: 9600, 19200, 38400, 57600, 115200 (default baud rate when autobauding is disabled or not supported), 230400, 460800 and 921600 b/s
- One-shot autobauding is supported and it is by default enabled: automatic baud rate detection is performed only once, at module start up. After the detection, the module works at the fixed baud rate (the detected one) and the baud rate can only be changed via AT command (see u-blox AT Commands Manual [1], +IPR).
- Frame format can be:
 - 8N2 (8 data bits, no parity, 2 stop bits)
 - 8N1 (8 data bits, no parity, 1 stop bit), default frame configuration
 - 8E1 (8 data bits, even parity, 1 stop bit)
 - 8O1 (8 data bits, odd parity, 1 stop bit)
 - 7N2 (7 data bits, no parity, 2 stop bits)
 - 7N1 (7 data bits, no parity, 1 stop bit)
 - 7E1 (7 data bits, even parity, 1 stop bit)
 - 7O1 (7 data bits, odd parity, 1 stop bit)



Automatic frame recognition is not supported by all TOBY-L2 series modules product versions.

UART serial interface can be conveniently configured through AT commands. For more details see the u-blox AT Commands Manual [1] (+IPR, +ICF, +IFC, &K, \Q, +UPSV AT command) and TOBY-L2 / MPCI-L2 series System Integration Manual [2].

2.5.1.1 Multiplexer protocol

TOBY-L2 series modules include multiplexer functionality as per 3GPP TS 27.010 [9] on the UART physical link.

This is a data link protocol which uses HDLC-like framing and operates between the module (DCE) and the application processor (DTE), allowing a number of simultaneous sessions over the physical link (UART): the user can concurrently use AT interface on one MUX channel and data communication on another MUX channel.

The following virtual channels are defined (for more details, see the Mux Implementation Application Note [4]):

- Channel 0: control
- Channel 1 – 5: AT commands / data connection

2.5.2 USB interface

TOBY-L2 series modules include a high-speed USB 2.0 compliant interface with maximum 480 Mb/s data rate, representing the main interface for transferring high speed data with a host application processor. The module itself acts as a USB device and can be connected to any USB host equipped with compatible drivers.

The **USB_D+** / **USB_D-** lines carry the USB data and signaling, providing all the functionalities for the bus attachment, configuration, enumeration, suspension or remote wakeup according to USB 2.0 specification [14].



The functionality of the additional **VUSB_DET** pin is not supported by all the TOBY-L2 series modules product versions: the pin should be left unconnected or it should not be driven high by any external device, because a high logic level applied to the pin will represent a module switch-on event (additional to the ones listed in section 2.3.1) and will prevent reaching the minimum possible consumption with power saving enabled.

TOBY-L2 series modules provide by default the following set of USB functions:

- CDC-ACM modem: AT commands interface is available over this modem COM port
- RNDIS network adapter: Ethernet-over-USB connection is available over this network adapter

The USB of TOBY-L2 series modules can be configured by the AT+UUSBCONF command to select different sets of USB functions available in a mutually exclusive way. The configured USB profile can thus consist of a specific set of functions with various capabilities and purposes, such as:

- CDC-ACM for AT commands and data
- CDC-ACM for diagnostic
- RNDIS for Ethernet-over-USB
- CDC-ECM for Ethernet-over-USB

For more details regarding the USB configurations and capabilities, see the TOBY-L2 / MPC1-L2 series System Integration Manual [2] and the u-blox AT Commands Manual [1], +UUSBCONF AT command.

USB drivers are available for the following operating system platforms:

- Windows Vista
- Windows 7
- Windows 8
- Windows 8.1
- Windows 10
- Windows Embedded CE 6.0¹⁵
- Windows Embedded Compact 7¹⁵
- Windows Embedded Compact 2013¹⁵

TOBY-L2 series modules are compatible with standard Linux/Android USB kernel drivers.

¹⁵ For more details see the Windows Embedded OS USB Driver Installation Application Note [15]

2.5.3 DDC (I²C) interface



The DDC (I²C) interface is not supported by “00”, “01”, “60” and TOBY-L201-02S product versions.

TOBY-L2 series modules include an I²C-bus compatible DDC interface (**SDA, SCL**) available to communicate with external I²C devices as an audio codec: the TOBY-L2 module acts as an I²C master which can communicate with I²C slaves in accordance with the I²C bus specifications [16].

For more details regarding the DDC (I²C) interface usage see the I²C AT commands description in the u-blox AT Commands Manual [1].

2.5.4 SDIO interface



The SDIO interface is not supported by “00”, “01” and “60” modules product versions.

TOBY-L2 series modules include a 4-bit Secure Digital Input Output interface (**SDIO_D0, SDIO_D1, SDIO_D2, SDIO_D3, SDIO_CLK, SDIO_CMD**) designed to communicate with an external u-blox short range Wi-Fi module: the TOBY-L2 cellular module acts as an SDIO host controller which can communicate over the SDIO bus with a compatible u-blox short range Wi-Fi module acting as SDIO device.

The SDIO interface is the only one interface of TOBY-L2 cellular modules available for communication between the u-blox cellular module and the u-blox short range Wi-Fi module. The AT commands interface is not available on the SDIO interface of TOBY-L2 series modules.

The SDIO interface supports 50 MHz bus clock frequency, which allows a data throughput of 200 Mb/s.

For more details regarding the SDIO interface usage and the integration with a u-blox Wi-Fi module see the TOBY-L2 / MPC-L2 series System Integration Manual [2], the Wi-Fi / Cellular Integration Application Note [5], and the Wi-Fi AT commands description in the u-blox AT Commands Manual [1].

2.6 Audio



Audio is not supported by “00”, “01”, “60” and TOBY-L201-02S product versions.

TOBY-L2 series modules include a 4-wire I²S digital audio interface (**I2S_TXD, I2S_RXD, I2S_CLK, I2S_WA**) that can be configured by AT command in PCM mode (short synchronization signal) or in normal I²S mode (long synchronization signal) to transfer digital audio data with an external device as an audio codec.

TOBY-L2 series modules act as an I²S master: **I2S_CLK** clock and **I2S_WA** world alignment / synchronization signal are generated by the module.

TOBY-L2 series modules provide master digital clock output function on **GPIO6** pin for an external audio codec.

For more details regarding TOBY-L2 series modules internal audio processing system capabilities, I²S digital audio interface possible configurations, usage and guideline for the integration with an external digital audio device as an audio codec see the TOBY-L2 / MPC-L2 series System Integration Manual [2] and the Audio Interface and Audio Parameters Tuning sections in the u-blox AT Commands Manual [1].

2.7 GPIO



GPIOs are not supported by “00”, “01” and “60” modules product version except for the Wireless Wide Area Network status indication configured on the **GPIO1** pin.

TOBY-L2 series modules include 14 pins (**GPIO1-GPIO6**, **I2S_TXD**, **I2S_RXD**, **I2S_CLK**, **I2S_WA**, **DTR**, **DSR**, **DCD**, **RI**) that can be configured as general purpose input/output or to provide custom functions as summarized in Table 4 (for further details see the TOBY-L2 / MPCI-L2 series System Integration Manual [2] and the u-blox AT Commands Manual [1] +UGPIOC, +UGPIOR, +UGPIOW AT commands).

Function	Description	Default GPIO	Configurable GPIOs
Network status indication	Network status: registered home network, registered roaming, data transmission, no service	--	All
SIM card detection	SIM card physical presence detection	GPIO5	GPIO5
SIM card hot insertion/removal	Enable / disable SIM interface upon detection of external SIM card physical insertion / removal	--	GPIO5
I ² S digital audio interface ¹⁶	I ² S digital audio interface	I2S_RXD, I2S_TXD, I2S_CLK, I2S_WA	I2S_RXD, I2S_TXD, I2S_CLK, I2S_WA
Master clock output ¹⁶	13 MHz / 26 MHz clock output for an external device as an audio codec	GPIO6	GPIO6
Wi-Fi enable	Enable/disable the supply of the external u-blox Wi-Fi module connected to the cellular module	GPIO1	All
DSR	UART data set ready output	DSR	DSR
DTR	UART data terminal ready input	DTR	DTR
DCD	UART data carrier detect output	DCD	DCD
RI	UART ring indicator output	RI	RI
General purpose input	Input to sense high or low digital level	--	All
General purpose output	Output to set the high or the low digital level	GPIO4	All
Pin disabled	Tri-state with an internal active pull-down enabled	GPIO2, GPIO3	All

Table 4: GPIO custom functions configuration

¹⁶ Not supported by TOBY-L201-02S product version

3 Pin definition

3.1 Pin assignment

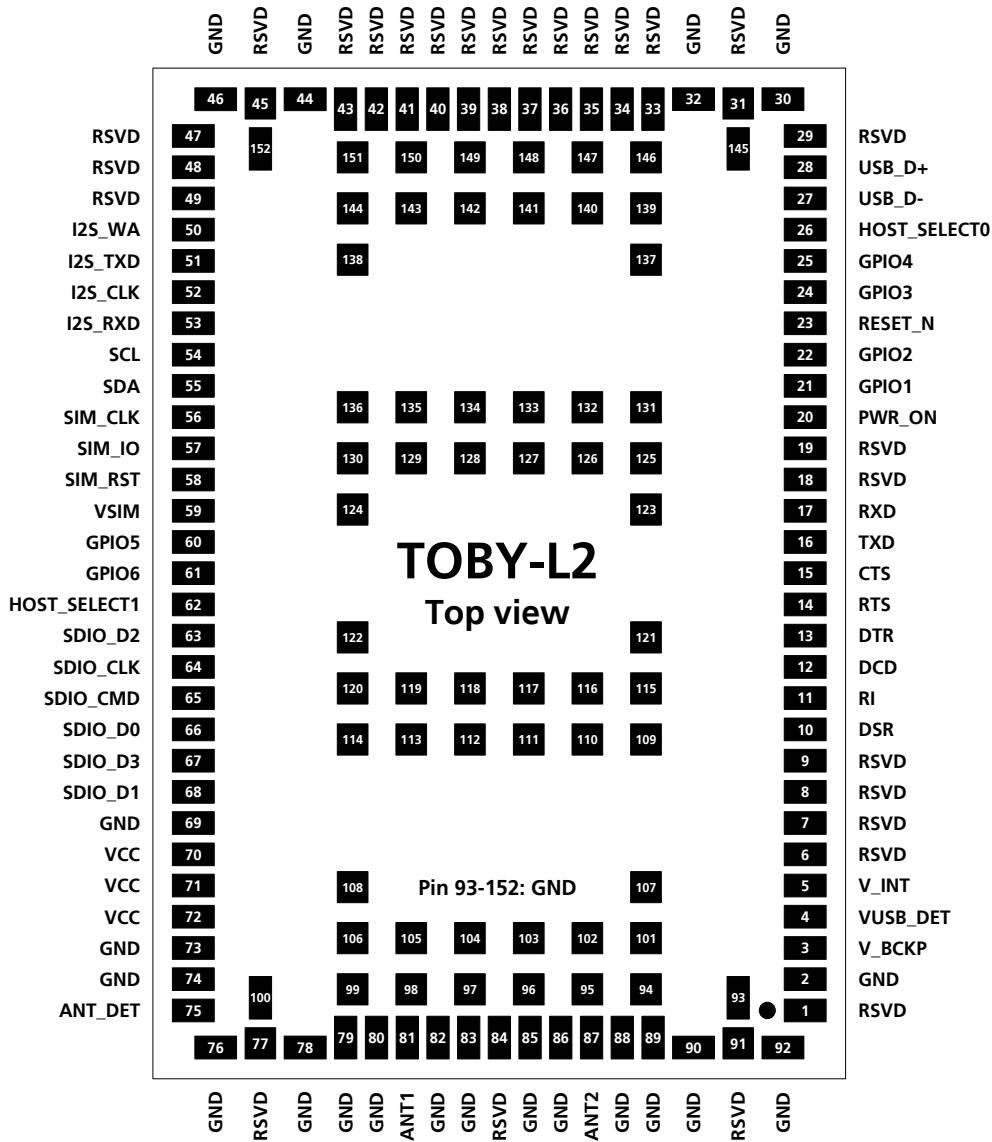


Figure 2: TOBY-L2 series pin assignment (top view)

No	Name	Power domain	I/O	Description	Remarks
1	RSVD	-	N/A	RESERVED pin	Leave unconnected.
2	GND	GND	N/A	Ground	All GND pins must be connected to ground.
3	V_BCKP	-	I/O	RTC supply Input/ Output	3.0 V (typical) generated by the module when VCC supply voltage is within valid operating range. See section 4.2.2 for detailed electrical specs.
4	VUSB_DET	VBUS	I	VBUS USB detect input	Leave unconnected as VUSB_DET functionality is not supported by all the product versions.
5	V_INT	GDI	O	Generic Digital Interfaces supply output	1.8 V (typical) generated by the module when it is switched-on. See section 4.2.2 for detailed electrical specs.
6	RSVD	-	N/A	RESERVED pin	This pin has special function: it must be connected to GND to allow module to work properly.
7	RSVD	-	N/A	RESERVED pin	Leave unconnected.
8	RSVD	-	N/A	RESERVED pin	Leave unconnected.
9	RSVD	-	N/A	RESERVED pin	Leave unconnected.
10	DSR	GDI	O / I/O	UART data set ready / GPIO	UART DSR not supported by '00' product versions; GPIO not supported by '00', '01', '60' product versions. Circuit 107 (DSR) in ITU-T V.24, configurable as GPIO. PU/PD class H. Value at internal reset: T/PU. See section 4.2.12 for detailed electrical specs.
11	RI	GDI	O / I/O	UART ring indicator / GPIO	UART RI not supported by '00' product versions; GPIO not supported by '00', '01', '60' product versions. Circuit 125 (RI) in ITU-T V.24, configurable as GPIO. PU/PD class H. Value at internal reset: T/PU. See section 4.2.12 for detailed electrical specs.
12	DCD	GDI	O / I/O	UART data carrier detect / GPIO	UART DCD not supported by '00' product versions; GPIO not supported by '00', '01', '60' product versions. Circuit 109 (DCD) in ITU-T V.24, configurable as GPIO. PU/PD class H. Value at internal reset: T/PU. See section 4.2.12 for detailed electrical specs.
13	DTR	GDI	I / I/O	UART data terminal ready / GPIO	UART DTR not supported by '00' product versions; GPIO not supported by '00', '01', '60' product versions. Circuit 108/2 (DTR) in ITU-T V.24, configurable as GPIO. Internal active pull-up to V_INT when set as DTR. PU/PD class H. Value at internal reset: T/PU. See section 4.2.12 for detailed electrical specs.
14	RTS	GDI	I	UART ready to send	UART RTS not supported by '00' product versions. Circuit 105 (RTS) in ITU-T V.24. Internal active pull-up to V_INT. PU/PD class H. Value at internal reset: T/PU. See section 4.2.12 for detailed electrical specs.
15	CTS	GDI	O	UART clear to send	UART CTS not supported by '00' product versions. Circuit 106 (CTS) in ITU-T V.24. PU/PD class H. Value at internal reset: T/PU. See section 4.2.12 for detailed electrical specs.
16	TXD	GDI	I	UART data input	UART TXD not supported by '00' product versions. Circuit 103 (TxD) in ITU-T V.24. Internal active pull-up to V_INT. PU/PD class M. Value at internal reset: T/PU. See section 4.2.12 for detailed electrical specs.
17	RXD	GDI	O	UART data output	UART RXD not supported by '00' product versions. Circuit 104 (RxD) in ITU-T V.24. PU/PD class M. Value at internal reset: T/PU. See section 4.2.12 for detailed electrical specs.
18	RSVD	-	N/A	RESERVED pin	Leave unconnected.
19	RSVD	-	N/A	RESERVED pin	Leave unconnected.

No	Name	Power domain	I/O	Description	Remarks
20	PWR_ON	POS	I	Power-on input	Internal active pull-up to VCC enabled. See section 4.2.8 for detailed electrical specs.
21	GPIO1	GDI	I/O	GPIO	GPIO not supported by '00', '01', '60' product versions, providing WWAN status indication on the GPIO1 pin. PU/PD class M. Value at internal reset: T/PD. See section 4.2.12 for detailed electrical specs.
22	GPIO2	GDI	I/O	GPIO	GPIO not supported by '00', '01', '60' product versions. PU/PD class M. Value at internal reset: T/PD. See section 4.2.12 for detailed electrical specs.
23	RESET_N	ERS	I	External reset input	Internal active pull-up to VCC enabled. See section 4.2.9 for detailed electrical specs.
24	GPIO3	GDI	I/O	GPIO	GPIO not supported by '00', '01', '60' product versions. PU/PD class M. Value at internal reset: T/PD. See section 4.2.12 for detailed electrical specs.
25	GPIO4	GDI	I/O	GPIO	GPIO not supported by '00', '01', '60' product versions. PU/PD class M. Value at internal reset: T/PD. See section 4.2.12 for detailed electrical specs.
26	HOST_SELECT0	GDI	I	Input for the selection of module configuration by the host processor	Not supported all the product versions. PU/PD class M. Value at internal reset: T/PD. See section 4.2.12 for detailed electrical specs.
27	USB_D-	USB	I/O	USB Data Line D-	90 Ω nominal differential impedance Pull-up, pull-down and series resistors as required by the USB Revision 2.0 specification [14] are part of the USB pin driver and need not be provided externally. See section 4.2.11 for detailed electrical specs.
28	USB_D+	USB	I/O	USB Data Line D+	90 Ω nominal differential impedance Pull-up, pull-down and series resistors as required by the USB Revision 2.0 specification [14] are part of the USB pin driver and need not be provided externally. See section 4.2.11 for detailed electrical specs.
29	RSVD	-	N/A	RESERVED pin	Leave unconnected.
30	GND	GND	N/A	Ground	All GND pins must be connected to ground.
31	RSVD	-	N/A	RESERVED pin	Leave unconnected.
32	GND	GND	N/A	Ground	All GND pins must be connected to ground.
33	RSVD	-	N/A	RESERVED pin	Leave unconnected.
34	RSVD	-	N/A	RESERVED pin	Leave unconnected.
35	RSVD	-	N/A	RESERVED pin	Leave unconnected.
36	RSVD	-	N/A	RESERVED pin	Leave unconnected.
37	RSVD	-	N/A	RESERVED pin	Leave unconnected.
38	RSVD	-	N/A	RESERVED pin	Leave unconnected.
39	RSVD	-	N/A	RESERVED pin	Leave unconnected.
40	RSVD	-	N/A	RESERVED pin	Leave unconnected.
41	RSVD	-	N/A	RESERVED pin	Leave unconnected.
42	RSVD	-	N/A	RESERVED pin	Leave unconnected.
43	RSVD	-	N/A	RESERVED pin	Leave unconnected.
44	GND	GND	N/A	Ground	All GND pins must be connected to ground.
45	RSVD	-	N/A	RESERVED pin	Leave unconnected.
46	GND	GND	N/A	Ground	All GND pins must be connected to ground.
47	RSVD	-	N/A	RESERVED pin	Leave unconnected.
48	RSVD	-	N/A	RESERVED pin	Leave unconnected.
49	RSVD	-	N/A	RESERVED pin	Leave unconnected.

No	Name	Power domain	I/O	Description	Remarks
50	I2S_WA	GDI	O / I/O	I ² S word alignment / GPIO	I ² S not supported by product versions '00', '01', '60' and TOBY-L201-02S. GPIO not supported by product versions '00', '01', '60'. I ² S word alignment, otherwise configurable as GPIO. PU/PD class M. Value at internal reset: T/PD. See section 4.2.12 for detailed electrical specs.
51	I2S_TXD	GDI	O / I/O	I ² S transmit data / GPIO	I ² S not supported by product versions '00', '01', '60' and TOBY-L201-02S. GPIO not supported by product versions '00', '01', '60'. I ² S transmit data out, otherwise configurable as GPIO. PU/PD class M. Value at internal reset: T/PD. See section 4.2.12 for detailed electrical specs.
52	I2S_CLK	GDI	O / I/O	I ² S clock / GPIO	I ² S not supported by product versions '00', '01', '60' and TOBY-L201-02S. GPIO not supported by product versions '00', '01', '60'. I ² S serial clock, otherwise configurable as GPIO. PU/PD class M. Value at internal reset: T/PD. See section 4.2.12 for detailed electrical specs.
53	I2S_RXD	GDI	I / I/O	I ² S receive data / GPIO	I ² S not supported by product versions '00', '01', '60' and TOBY-L201-02S. GPIO not supported by product versions '00', '01', '60'. I ² S receive data in, otherwise configurable as GPIO. PU/PD class M. Value at internal reset: T/PD. See section 4.2.12 for detailed electrical specs.
54	SCL	DDC	O	I ² C bus clock line	I ² C not supported by product versions '00', '01', '60' and TOBY-L201-02S. Fixed open drain. No internal pull-up. Value at internal reset: T. See section 4.2.13 for detailed electrical specs.
55	SDA	DDC	I/O	I ² C bus data line	I ² C not supported by product versions '00', '01', '60' and TOBY-L201-02S. Fixed open drain. No internal pull-up. Value at internal reset: T. See section 4.2.13 for detailed electrical specs.
56	SIM_CLK	SIM	O	SIM clock	See section 4.2.10 for detailed electrical specs.
57	SIM_IO	SIM	I/O	SIM data	Internal 4.7 kΩ pull-up resistor to VSIM. See section 4.2.10 for detailed electrical specs.
58	SIM_RST	SIM	O	SIM reset	See section 4.2.10 for detailed electrical specs.
59	VSIM	-	O	SIM supply output	VSIM = 1.8 V typical or 3.0 V typical generated by the module according to the SIM card/chip voltage type. See section 4.2.2 for detailed electrical specs.
60	GPIO5	GDI	I/O	GPIO	GPIO not supported by '00', '01', '60' product versions. PU/PD class M. Value at internal reset: T/PD. See section 4.2.12 for detailed electrical specs.
61	GPIO6	GDI	I/O	GPIO	GPIO not supported by '00', '01', '60' product versions. PU/PD class M. Value at internal reset: T/PD. See section 4.2.12 for detailed electrical specs.
62	HOST_SELECT1	GDI	I	Input for the selection of module configuration by the host processor	Not supported by all the product versions. PU/PD class M. Value at internal reset: T/PD. See section 4.2.12 for detailed electrical specs.
63	SDIO_D2	GDI	I/O	SDIO serial data [2]	SDIO not supported by '00', '01', '60' product versions. PU/PD class M. Value at internal reset: T/PD. See section 4.2.12 for detailed electrical specs.
64	SDIO_CLK	GDI	O	SDIO serial clock	SDIO not supported by '00', '01', '60' product versions. PU/PD class M. Value at internal reset: T/PD. See section 4.2.12 for detailed electrical specs.

No	Name	Power domain	I/O	Description	Remarks
65	SDIO_CMD	GDI	I/O	SDIO command	SDIO not supported by '00', '01', '60' product versions. PU/PD class M. Value at internal reset: T/PD. See section 4.2.12 for detailed electrical specs.
66	SDIO_D0	GDI	I/O	SDIO serial data [0]	SDIO not supported by '00', '01', '60' product versions. PU/PD class M. Value at internal reset: T/PD. See section 4.2.12 for detailed electrical specs.
67	SDIO_D3	GDI	I/O	SDIO serial data [3]	SDIO not supported by '00', '01', '60' product versions. PU/PD class M. Value at internal reset: T/PD. See section 4.2.12 for detailed electrical specs.
68	SDIO_D1	GDI	I/O	SDIO serial data [1]	SDIO not supported by '00', '01', '60' product versions. PU/PD class M. Value at internal reset: T/PD. See section 4.2.12 for detailed electrical specs.
69	GND	GND	N/A	Ground	All GND pins must be connected to ground.
70	VCC	VCC	I	Module supply input	All VCC pins must be connected to external supply. See sections 4.2.2 / 4.2.3 for detailed electrical specs.
71	VCC	VCC	I	Module supply input	All VCC pins must be connected to external supply. See sections 4.2.2 / 4.2.3 for detailed electrical specs.
72	VCC	VCC	I	Module supply input	All VCC pins must be connected to external supply. See sections 4.2.2 / 4.2.3 for detailed electrical specs.
73	GND	GND	N/A	Ground	All GND pins must be connected to ground.
74	GND	GND	N/A	Ground	All GND pins must be connected to ground.
75	ANT_DET	ADC	I	Antenna detection	Not supported by '00', '01', '60' product versions.
76	GND	GND	N/A	Ground	All GND pins must be connected to ground.
77	RSVD	-	N/A	RESERVED pin	Leave unconnected.
78	GND	GND	N/A	Ground	All GND pins must be connected to ground.
79	GND	GND	N/A	Ground	All GND pins must be connected to ground.
80	GND	GND	N/A	Ground	All GND pins must be connected to ground.
81	ANT1	ANT	I/O	Primary antenna	50 Ω nominal characteristic impedance. Main Tx / Rx antenna interface. See section 4.2.4 / 4.2.5 / 4.2.6 for details.
82	GND	GND	N/A	Ground	All GND pins must be connected to ground.
83	GND	GND	N/A	Ground	All GND pins must be connected to ground.
84	RSVD	-	N/A	RESERVED pin	Leave unconnected.
85	GND	GND	N/A	Ground	All GND pins must be connected to ground.
86	GND	GND	N/A	Ground	All GND pins must be connected to ground.
87	ANT2	ANT	I	Secondary antenna	50 Ω nominal characteristic impedance. Rx only for Down-Link MIMO 2x2 and Rx diversity. See section 4.2.4 / 4.2.5 / 4.2.6 for details.
88	GND	GND	N/A	Ground	All GND pins must be connected to ground.
89	GND	GND	N/A	Ground	All GND pins must be connected to ground.
90	GND	GND	N/A	Ground	All GND pins must be connected to ground.
91	RSVD	-	N/A	RESERVED pin	Leave unconnected.
92	GND	GND	N/A	Ground	All GND pins must be connected to ground.
93-152	GND	GND	N/A	Ground	All GND pins must be connected to ground.

Table 5: TOBY-L2 series pin-out


For more information about the pin-out, see the TOBY-L2 / MPC1-L2 series System Integration Manual [2].
See Appendix A for an explanation of abbreviations and terms used.

4 Electrical specifications

Stressing the device above one or more of the ratings listed in the Absolute Maximum Rating section may cause permanent damage. These are stress ratings only. Operating the module at these or at any conditions other than those specified in the Operating Conditions sections (section 4.2) of the specification should be avoided. Exposure to Absolute Maximum Rating conditions for extended periods may affect device reliability.

Operating condition ranges define those limits within which the functionality of the device is guaranteed.

Where application information is given, it is advisory only and does not form part of the specification.

4.1 Absolute maximum rating

Limiting values given below are in accordance with the Absolute Maximum Rating System (IEC 134).

Symbol	Description	Condition	Min.	Max.	Unit
VCC	Module supply voltage	Input DC voltage at VCC pin	-0.3	6.0	V
V_BCKP	RTC supply voltage	Input DC voltage at V_BCKP pin	-0.3	6.0	V
USB	USB D+/D- pins	Input DC voltage at USB interface pins		3.6	V
GDI	Generic digital interfaces	Input DC voltage at Generic digital interfaces pins		2.2	V
DDC	DDC interface	Input DC voltage at DDC interface pins		2.2	V
SIM	SIM interface	Input DC voltage at SIM interface pins	-0.3	3.6	V
ERS	External reset signal	Input DC voltage at RESET_N pin	-0.3	6.0	V
POS	Power-on input	Input DC voltage at PWR_ON pin	-0.3	6.0	V
Rho_ANT	Antenna ruggedness	Output RF load mismatch ruggedness at ANT pins		10:1	VSWR
Tstg	Storage Temperature		-40	85	°C

Table 6: Absolute maximum ratings

The product is not protected against overvoltage or reversed voltages. If necessary, voltage spikes exceeding the power supply voltage specification, given in table above, must be limited to values within the specified boundaries by using appropriate protection devices.

4.1.1 Maximum ESD

Parameter	Min	Typical	Max	Unit	Remarks
ESD sensitivity for all pins except ANT1 / ANT2 pins			1000	V	Human Body Model according to JESD22-A114
ESD sensitivity for ANT1 / ANT2 pins			1000	V	Human Body Model according to JESD22-A114
ESD immunity for ANT1 / ANT2 pins			4000	V	Contact Discharge according to IEC 61000-4-2
			8000	V	Air Discharge according to IEC 61000-4-2

Table 7: Maximum ESD ratings

u-blox cellular modules are Electrostatic Sensitive Devices and require special precautions when handling. See section 7.4 for ESD handling instructions.

4.2 Operating conditions



Unless otherwise indicated, all operating condition specifications are at an ambient temperature of 25°C.



Operation beyond the operating conditions is not recommended and extended exposure beyond them may affect device reliability.

4.2.1 Operating temperature range

Parameter	Min.	Typical	Max.	Unit	Remarks
Normal operating temperature	-20	+25	+65	°C	Normal operating temperature range (fully functional and meet 3GPP specifications)
Extended operating temperature	-40		+85	°C	Extended operating temperature range (RF performance may be affected outside normal operating range, though module is fully functional)

Table 8: Environmental conditions

4.2.2 Supply/power pins

Symbol	Parameter	Min.	Typical	Max.	Unit
VCC	Module supply normal operating input voltage ¹⁷	3.40	3.80	4.35	V
	Module supply extended operating input voltage ¹⁸	3.20	3.80	4.35	V
V_BCKP	Real Time Clock supply input voltage	1.4		4.2	V
I_BCKP	Real Time Clock supply average current consumption, at V_BCKP = 1.8 V		2	5	µA

Table 9: Input characteristics of Supply/Power pins

Symbol	Parameter	Min.	Typical	Max.	Unit
VSIM	SIM supply output voltage with 1.8 V external SIM	1.76	1.80	1.85	V
	SIM supply output voltage with 3.0 V external SIM	2.84	2.90	2.94	V
V_BCKP	Real Time Clock supply output voltage		3.00		V
I_BCKP	Real Time Clock supply output current capability			3	mA
V_INT	Generic Digital Interfaces supply output voltage	1.76	1.80	1.85	V
V_INT_RIPPLE	Generic Digital Interfaces supply output voltage ripple			45	mVpp
I_INT	Generic Digital Interfaces supply output current capability			70	mA

Table 10: Output characteristics of Supply/Power pins

¹⁷ Input voltage at **VCC** must be above the normal operating range minimum limit to switch-on the module. RF performance may be affected when the input voltage at **VCC** drops below the herein stated normal operating range minimum limit, though module is still fully functional.

¹⁸ Ensure that input voltage at **VCC** never drops below the extended operating range minimum limit during module operation: the cellular module may switch-off when the **VCC** voltage value drops below the herein stated extended operating range minimum limit.

4.2.3 Current consumption

Mode	Condition	Tx power	Min	Typ ¹⁹	Max ²⁰	Unit
Power Off Mode	Averaged current value over a any period, Module switched off			15		μA
Idle-Mode (Power Saving enabled by AT+UPSV, module in low power idle-mode, equivalent to +CFUN=4 or +COPS=2)	Averaged current value over a 100-ms period, USB not connected			1.1		mA
	Averaged current value over a 100-ms period, USB connected and suspended			1.3		mA
Cyclic Idle/Active-Mode (Power Saving enabled by AT+UPSV, Module registered with network)	Averaged current value over a 10-minute period, USB not connected			2.7		mA
	Averaged current value over a 10-minute period, USB connected and suspended			2.9		mA
Active-Mode (Power Saving disabled by AT+UPSV, Module registered with network)	Averaged current value over a 10-minute period, USB not connected			31		mA
	Averaged current value over a 10-minute period, USB connected and not suspended			48		mA
2G Connected Mode (Tx / Rx call enabled)	Pulse current ²¹ during a 1-slot GMSK Tx burst, 850/900 MHz bands	Maximum		1.9	2.5	A
	Averaged current value over a 10-second period, 2G GMSK call, 1 Tx + 1 Rx slot, 850/900 MHz	Maximum		275		mA
	Averaged current value over a 10-second period, 2G GMSK call, 1 Tx + 1 Rx slot, 1800/1900 MHz	Maximum		215		mA
3G Connected Mode (Tx / Rx call enabled)	Averaged current value over a 10-second period, 3G call with Low data rate	Minimum		185		mA
		0 dBm		200		mA
		12 dBm		275		mA
		18 dBm		380		mA
		Maximum		510		mA
	Averaged current value over a 10-second period, 3G call with Maximum data rate	Maximum		590		mA
LTE Connected Mode (Tx / Rx call enabled)	Averaged current value over a 10-second period, LTE call with Low data rate	Minimum		295		mA
		0 dBm		310		mA
		12 dBm		390		mA
		18 dBm		490		mA
		Maximum		610		mA
	Averaged current value over a 10-second period, LTE call with Maximum data rate	Maximum		660		mA

Table 11: Module VCC current consumption

¹⁹ Typical values with a matched antenna.

²⁰ Maximum values with a mismatched antenna.

²¹ It is recommended to use this figure to dimension maximum current capability of power supply.

4.2.4 LTE RF characteristics

The LTE bands supported by each TOBY-L2 series module are defined in Table 2, while the following Table 12 describes the Transmitting and Receiving frequencies for each LTE band according to 3GPP TS 36.521-1 [10].

Parameter		Min.	Max.	Unit	Remarks
Frequency range Band 17 (700 MHz)	Uplink	704	716	MHz	Module transmit
	Downlink	734	746	MHz	Module receive
Frequency range Band 13 (750 MHz)	Uplink	777	787	MHz	Module transmit
	Downlink	746	756	MHz	Module receive
Frequency range Band 28 (750 MHz)	Uplink	703	748	MHz	Module transmit
	Downlink	758	803	MHz	Module receive
Frequency range Band 20 (800 MHz)	Uplink	832	862	MHz	Module transmit
	Downlink	791	821	MHz	Module receive
Frequency range Band 19 (850 MHz)	Uplink	830	845	MHz	Module transmit
	Downlink	875	890	MHz	Module receive
Frequency range Band 5 (850 MHz)	Uplink	824	849	MHz	Module transmit
	Downlink	869	894	MHz	Module receive
Frequency range Band 8 (900 MHz)	Uplink	880	915	MHz	Module transmit
	Downlink	925	960	MHz	Module receive
Frequency range Band 4 (1700 MHz)	Uplink	1710	1755	MHz	Module transmit
	Downlink	2110	2155	MHz	Module receive
Frequency range Band 3 (1800 MHz)	Uplink	1710	1785	MHz	Module transmit
	Downlink	1805	1880	MHz	Module receive
Frequency range Band 2 (1900 MHz)	Uplink	1850	1910	MHz	Module transmit
	Downlink	1930	1990	MHz	Module receive
Frequency range Band 1 (2100 MHz)	Uplink	1920	1980	MHz	Module transmit
	Downlink	2110	2170	MHz	Module receive
Frequency range Band 7 (2600 MHz)	Uplink	2500	2570	MHz	Module transmit
	Downlink	2620	2690	MHz	Module receive

Table 12: LTE operating RF frequency bands

TOBY-L2 series modules include a UE Power Class 3 LTE transmitter (see Table 2), with output power and characteristics according to 3GPP TS 36.521-1 [10].

TOBY-L2 series modules LTE receiver characteristics are compliant to 3GPP TS 36.521-1 [10], with LTE conducted receiver sensitivity performance described in Table 13.

Parameter	Min.	Typical	Max.	Unit	Remarks
Receiver input sensitivity Band 17 (700 MHz)		-103.5		dBm	Channel bandwidth = 5 MHz
		-100.5		dBm	Channel bandwidth = 10 MHz
Receiver input sensitivity Band 13 (750 MHz)		-105.0		dBm	Channel bandwidth = 5 MHz
		-102.5		dBm	Channel bandwidth = 10 MHz
Receiver input sensitivity Band 28 (750 MHz)		-106.5		dBm	Channel bandwidth = 3 MHz
		-103.5		dBm	Channel bandwidth = 5 MHz
		-97.5		dBm	Channel bandwidth = 20 MHz
Receiver input sensitivity Band 20 (800 MHz)		-103.0		dBm	Channel bandwidth = 5 MHz
		-97.0		dBm	Channel bandwidth = 20 MHz
Receiver input sensitivity Band 5 (850 MHz)		-109.0		dBm	Channel bandwidth = 1.4 MHz
		-103.0		dBm	Channel bandwidth = 5 MHz
		-100.5		dBm	Channel bandwidth = 10 MHz
Receiver input sensitivity Band 8 (900 MHz)		-110.0		dBm	Channel bandwidth = 1.4 MHz
		-104.5		dBm	Channel bandwidth = 5 MHz
		-101.5		dBm	Channel bandwidth = 10 MHz
Receiver input sensitivity Band 4 (1700 MHz)		-109.5		dBm	Channel bandwidth = 1.4 MHz
		-103.5		dBm	Channel bandwidth = 5 MHz
		-98.0		dBm	Channel bandwidth = 20 MHz
Receiver input sensitivity Band 3 (1800 MHz)		-110.0		dBm	Channel bandwidth = 1.4 MHz
		-104.5		dBm	Channel bandwidth = 5 MHz
		-98.5		dBm	Channel bandwidth = 20 MHz
Receiver input sensitivity Band 2 (1900 MHz)		-110.0		dBm	Channel bandwidth = 1.4 MHz
		-104.0		dBm	Channel bandwidth = 5 MHz
		-98.0		dBm	Channel bandwidth = 20 MHz
Receiver input sensitivity Band 1 (2100 MHz)		-104.5		dBm	Channel bandwidth = 5 MHz
		-98.5		dBm	Channel bandwidth = 20 MHz
Receiver input sensitivity Band 7 (2600 MHz)		-102.5		dBm	Channel bandwidth = 5 MHz
		-97.0		dBm	Channel bandwidth = 20 MHz

Condition: 50 Ω source, Throughput > 95%, dual receiver, QPSK modulation, Other settings as per 3GPP TS 36.521-1 [10]

Table 13: LTE receiver sensitivity performance

4.2.5 3G RF characteristics

The 3G bands supported by each TOBY-L2 series module are defined in Table 2, while the following Table 14 describes the Transmitting and Receiving frequencies for each 3G band according to 3GPP TS 34.121-1 [11].

Parameter		Min.	Max.	Unit	Remarks
Frequency range Band 19 (850 MHz)	Uplink	830	845	MHz	Module transmit
	Downlink	875	890	MHz	Module receive
Frequency range Band 5 (850 MHz)	Uplink	824	849	MHz	Module transmit
	Downlink	869	894	MHz	Module receive
Frequency range Band 8 (900 MHz)	Uplink	880	915	MHz	Module transmit
	Downlink	925	960	MHz	Module receive
Frequency range Band 4 (AWS, 1700 MHz)	Uplink	1710	1755	MHz	Module transmit
	Downlink	2110	2155	MHz	Module receive
Frequency range Band 2 (1900 MHz)	Uplink	1850	1910	MHz	Module transmit
	Downlink	1930	1990	MHz	Module receive
Frequency range Band 1 (2100 MHz)	Uplink	1920	1980	MHz	Module transmit
	Downlink	2110	2170	MHz	Module receive

Table 14: 3G operating RF frequency bands

TOBY-L2 series modules include a UE Power Class 3 3G transmitter (see Table 2), with output power and characteristics according to 3GPP TS 34.121-1 [11].

TOBY-L2 series modules 3G receiver characteristics are compliant to 3GPP TS 34.121-1 [11], with 3G conducted receiver sensitivity performance described in Table 15.

Parameter	Min.	Typical	Max.	Unit	Remarks
Receiver input sensitivity Band 5 (850 MHz)		-112.0		dBm	Downlink RF level for RMC @ BER < 0.1 %
Receiver input sensitivity Band 8 (900 MHz)		-112.0		dBm	Downlink RF level for RMC @ BER < 0.1 %
Receiver input sensitivity Band 4 (AWS, 1700 MHz)		-111.0		dBm	Downlink RF level for RMC @ BER < 0.1 %
Receiver input sensitivity Band 2 (1900 MHz)		-111.0		dBm	Downlink RF level for RMC @ BER < 0.1 %
Receiver input sensitivity Band 1 (2100 MHz)		-111.0		dBm	Downlink RF level for RMC @ BER < 0.1 %

Condition: 50 Ω source, other settings as per 3GPP TS 34.121-1 [11]

Table 15: 3G receiver sensitivity performance

4.2.6 2G RF characteristics

The 2G bands supported by each TOBY-L2 series module are defined in Table 2, while the following Table 16 describes the Transmitting and Receiving frequencies for each 2G band according to 3GPP TS 51.010-1 [12].

Parameter		Min.	Max.	Unit	Remarks
Frequency range GSM 850	Uplink	824	849	MHz	Module transmit
	Downlink	869	894	MHz	Module receive
Frequency range E-GSM 900	Uplink	880	915	MHz	Module transmit
	Downlink	925	960	MHz	Module receive
Frequency range DCS 1800	Uplink	1710	1785	MHz	Module transmit
	Downlink	1805	1880	MHz	Module receive
Frequency range PCS 1900	Uplink	1850	1910	MHz	Module transmit
	Downlink	1930	1990	MHz	Module receive

Table 16: 2G operating RF frequency bands

TOBY-L2 series modules include a GMSK Power Class 4 transmitter for GSM/E-GSM bands, GMSK Power Class 1 transmitter for DCS/PCS bands, 8-PSK Power Class E2 transmitter for all 2G bands (see Table 2), with output power and characteristics according to 3GPP TS 51.010-1 [12].

TOBY-L2 series modules 2G receiver characteristics are compliant to 3GPP TS 51.010-1 [12], with conducted receiver sensitivity performance described in Table 17.

Parameter	Min.	Typical	Max.	Unit	Remarks
Receiver input sensitivity GSM 850 / E-GSM 900	-110.0			dBm	Downlink RF level @ BER Class II < 2.4 %
Receiver input sensitivity DCS 1800 / PCS 1900	-109.0			dBm	Downlink RF level @ BER Class II < 2.4 %

Condition: 50 Ω source, other settings as per 3GPP TS 51.010-1 [12]

Table 17: 2G receiver sensitivity performance

4.2.7 ANT_DET pin



Antenna detection (**ANT_DET**) is not supported by "00", "01" and "60" product versions.

Pin Name	Parameter	Min.	Typical	Max.	Unit	Remarks
ANT_DET	Output DC current pulse value		21		μ A	Generated by means of the AT+UANTR command
	Output DC current pulse time length		3.6		ms	Generated by means of the AT+UANTR command

Table 18: ANT_DET pin characteristics

4.2.8 PWR_ON pin

Pin Name	Parameter	Min.	Typical	Max.	Unit	Remarks
PWR_ON	Internal supply for Power-On Input Signal		3.8		V	Module supply input (VCC)
	Low-level input	0		0.3*VCC	V	
	High-level input	0.7*VCC		VCC	V	
	Pull-up resistance	35	50		kΩ	Internal active pull-up to VCC
	Low-level input current		-76		μA	
	PWR_ON low time	5			ms	Low time to switch-on the module

Table 19: PWR_ON pin characteristics

4.2.9 RESET_N pin

Pin Name	Parameter	Min.	Typical	Max.	Unit	Remarks	
RESET_N	Internal supply for External Reset Input Signal		3.8		V	Module supply input (VCC)	
	Low-level input	0		0.3*VCC	V		
	High-level input	0.7*VCC		VCC	V		
	Pull-up resistance	35	50		kΩ	Internal active pull-up to VCC	
	Low-level input current		-76		μA		
	RESET_N low time		18		800	ms	Low time to switch-on the module
			2.1		15	s	Low time to reset the module
		16			s	Low time to switch-off the module	

Table 20: RESET_N pin characteristics

4.2.10 SIM pins

The SIM pins are a dedicated interface to the external SIM card/chip. The electrical characteristics fulfill regulatory specification requirements. The values in Table 21 are for information only.

Parameter	Min.	Typical	Max.	Unit	Remarks
Low-level input	-0.30		0.63	V	VSIM = 1.8 V
	-0.30		0.80	V	VSIM = 3.0 V
High-level input	1.17		2.10	V	VSIM = 1.8 V
	2.00		3.30	V	VSIM = 3.0 V
Low-level output		0.00	0.45	V	VSIM = 1.8 V, Max value at $I_{OL} = +2.0$ mA
		0.00	0.40	V	VSIM = 3.0 V, Max value at $I_{OL} = +2.0$ mA
High-level output	1.35	1.80		V	VSIM = 1.8 V, Min value at $I_{OH} = -2.0$ mA
	2.60	2.90		V	VSIM = 3.0 V, Min value at $I_{OH} = -2.0$ mA
Input / Output leakage current	-500		500	nA	0 V < V_{IN} < 0.63 V or 1.17 V < V_{IN} < 2.10 V 0 V < V_{IN} < 0.80 V or 2.00 V < V_{IN} < 3.30 V
Clock frequency on SIM_CLK		3.25		MHz	
Internal pull-up resistor on SIM_IO		4.7		k Ω	Internal pull-up to VSIM supply

Table 21: SIM pins characteristics

4.2.11 USB pins

USB data lines (**USB_D+** / **USB_D-**) are compliant to the USB 2.0 high-speed specification. See the Universal Serial Bus Revision 2.0 specification [14] for detailed electrical characteristics.

Parameter	Min.	Typical	Max.	Unit	Remarks
High-speed squelch detection threshold (input differential signal amplitude)	100		150	mV	
High speed disconnect detection threshold (input differential signal amplitude)	525		625	mV	
High-speed data signaling input common mode voltage range	-50		500	mV	
High-speed idle output level	-10		10	mV	
High-speed data signaling output high level	360		440	mV	
High-speed data signaling output low level	-10		10	mV	
Chirp J level (output differential voltage)	700		1100	mV	
Chirp K level (output differential voltage)	-900		-500	mV	

Table 22: USB pins characteristics

4.2.12 Generic Digital Interfaces pins

Parameter	Min	Typical	Max	Unit	Remarks
Internal supply for GDI domain		1.80		V	Digital I/O Interfaces supply (V_INT)
Low-level input	-0.30		0.63	V	
High-level input	1.17		2.10	V	
Low-level output		0.00	0.45	V	Max value at $I_{OL} = +2.0$ mA
High-level output	1.35	1.80		V	Min value at $I_{OH} = -2.0$ mA
Input/output leakage current	-500		500	nA	$0\text{ V} < V_{IN} < 0.63\text{ V}$ or $1.17\text{ V} < V_{IN} < 2.10\text{ V}$
Internal active pull-up resistance	30		130	k Ω	Pull-Up class H
	30		180	k Ω	Pull-Up class M
Internal active pull-down resistance	30		150	k Ω	Pull-Down class H
	30		180	k Ω	Pull-Down class M

Table 23: GDI pin characteristics

4.2.12.1 AC characteristics of I²S pins



The I²S digital audio interface is not supported by "00", "01", "60" and TOBY-L201-02S product versions

Parameter	Description	Min	Typical	Max	Unit	Remarks
T1	I2S_WA period		125		μ s	$\langle I2S_sample_rate \rangle = 0$
			62.5		μ s	$\langle I2S_sample_rate \rangle = 3$
1/T1	I2S_WA frequency		8		kHz	$\langle I2S_sample_rate \rangle = 0$
			16		kHz	$\langle I2S_sample_rate \rangle = 3$
T2	I2S_CLK period		1/32		T1	CLK period = WA period / 32
1/T2	I2S_CLK frequency		32		1/T1	CLK frequency = 32 x WA frequency
T3	I2S_CLK high / low level pulse width	0.4		0.6	T2	
T4	I2S_TX valid before I2S_CLK edge	0.1			T2	
T5	I2S_TX valid after I2S_CLK edge	0.1			T2	
T6	I2S_WA valid before I2S_CLK edge	0.22			T2	
T7	I2S_WA valid after I2S_CLK edge	0.15			T2	
T8	I2S_RX setup time before I2S_CLK edge	0.19			T2	
T9	I2S_RX hold time after I2S_CLK edge	0.09			T2	

Table 24: I²S pins AC characteristics

4.2.13 DDC (I²C) pins



The DDC (I²C) interface is not supported by “00”, “01”, “60” and TOBY-L201-02S product versions.

DDC (I²C) lines (**SCL** and **SDA**) are compliant to the I²C-bus standard mode specification. See the I²C-Bus Specification [16] for detailed electrical characteristics.

Parameter	Min	Typical	Max	Unit	Remarks
Internal supply for GDI domain		1.80		V	Digital I/O Interfaces supply (V_INT)
Low-level input	-0.30		0.63	V	
High-level input	1.17		2.10	V	
Low-level output		0.00	0.45	V	Max value at I _{OL} = +2.0 mA
Input/output leakage current	-500		500	nA	0 V < V _{IN} < 0.63 V or 1.17 V < V _{IN} < 2.10 V
Clock frequency on SCL		100		kHz	

Table 25: DDC (I²C) pins characteristics

4.3 Parameters for ATEX applications

This section provides useful parameters and information to integrate TOBY-L2 series modules in applications intended for use in areas with potentially explosive atmospheres (ATEX), describing:

- Total internal capacitance and inductance of TOBY-L2 series modules (see Table 26)
- Maximum RF output power and voltage at the antenna pin of TOBY-L2 series modules (see Table 27)



Any specific applicable requirement for the implementation of the apparatus integrating TOBY-L2 series modules, intended for use in potentially explosive atmospheres, must be fulfilled according to the exact applicable standards: check the detailed requisites on the pertinent normative for the application, as for example the IEC 60079-0 [17], IEC 60079-11 [18], IEC 60079-26 [19] standards.



The certification of the application device that integrates a TOBY-L2 series module and the compliance of the application device with all the applicable certification schemes, directives and standards required for use in potentially explosive atmospheres are the sole responsibility of the application device manufacturer.

Table 26 describes the maximum total internal capacitance and the maximum total internal inductance, considering internal parts tolerance, provided by TOBY-L2 series modules.

Module	Parameter	Description	Value	Unit
TOBY-L200, TOBY-L201	Ci	Maximum total internal capacitance	267	μF
	Li	Maximum total internal inductance	12.8	μH
TOBY-L210, TOBY-L220, TOBY-L280	Ci	Maximum total internal capacitance	267	μF
	Li	Maximum total internal inductance	12.9	μH

Table 26: TOBY-L2 series maximum total internal capacitance and maximum total internal inductance

Table 27 describes the maximum RF output power transmitted by TOBY-L2 series modules from the primary antenna (**ANT1**) pin as Power Class 4 Mobile Stations for GSM 850 / E-GSM 900 bands and/or as Power Class 3 User Equipments for the LTE / UMTS bands, and the corresponding maximum voltage into a 50 Ω system load.

Module	Parameter	Description	Value	Unit
TOBY-L200, TOBY-L210, TOBY-L280	ANT1 Pout	Maximum RF output power from ANT1 pin	35.0	dBm
	ANT1 Vout on 50 Ω	Maximum voltage from ANT1 pin into a 50 Ω system load	12.6	Vrms
TOBY-L201, TOBY-L220	ANT1 Pout	Maximum RF output power from ANT1 pin	25.0	dBm
	ANT1 Vout on 50 Ω	Maximum voltage from ANT1 pin into a 50 Ω system load	4.0	Vrms

Table 27: TOBY-L2 series maximum RF output power and corresponding maximum voltage into a 50 Ω load



The TOBY-L2 series modules do not contain internal blocks which increase the input voltage (e.g. like step-up, duplicators, boosters, etc.) except for the primary antenna (**ANT1**) pin which maximum RF output power and corresponding maximum voltage into a 50 Ω system is illustrated in Table 27.

5 Mechanical specifications

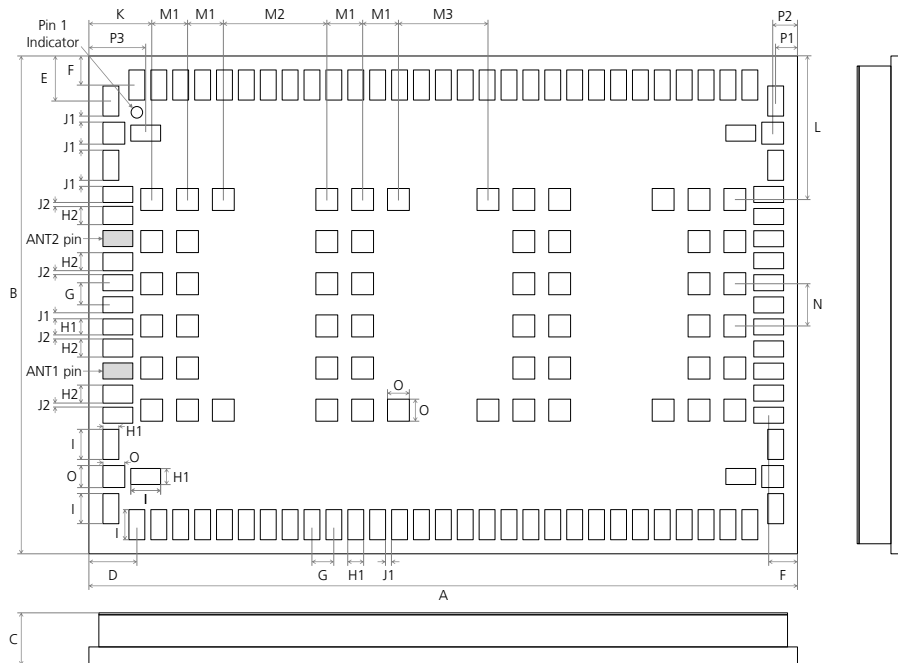


Figure 3: TOBY-L2 series dimensions (Bottom and Sides views)

Parameter	Description	Typical	Tolerance
A	Module Height [mm]	35.6 (1401.6 mil)	+0.20/-0.20 (+7.9/-7.9 mil)
B	Module Width [mm]	24.8 (976.4 mil)	+0.20/-0.20 (+7.9/-7.9 mil)
C	Module Thickness [mm]	2.6 (102.4 mil)	+0.27/-0.17 (+10.6/-6.7 mil)
D	Horizontal Edge to Lateral Pin Pitch [mm]	2.4 (94.5 mil)	+0.20/-0.20 (+7.9/-7.9 mil)
E	Vertical Edge to Lateral Pin Pitch [mm]	2.25 (88.6 mil)	+0.20/-0.20 (+7.9/-7.9 mil)
F	Edge to Lateral Pin Pitch [mm]	1.45 (57.1 mil)	+0.20/-0.20 (+7.9/-7.9 mil)
G	Lateral Pin to Pin Pitch [mm]	1.1 (43.3 mil)	+0.02/-0.02 (+0.8/-0.8 mil)
H1	Lateral Pin Height [mm]	0.8 (31.5 mil)	+0.02/-0.02 (+0.8/-0.8 mil)
H2	Lateral Pin close to ANT1 and ANT2 Height [mm]	0.9 (35.4 mil)	+0.02/-0.02 (+0.8/-0.8 mil)
I	Lateral Pin Width [mm]	1.5 (59.1 mil)	+0.02/-0.02 (+0.8/-0.8 mil)
J1	Lateral Pin to Pin Distance [mm]	0.3 (11.8 mil)	+0.02/-0.02 (+0.8/-0.8 mil)
J2	Lateral Pin to Pin close to ANT Distance [mm]	0.2 (7.9 mil)	+0.02/-0.02 (+0.8/-0.8 mil)
K	Horizontal Edge to Central Pin Pitch [mm]	3.15 (124.0 mil)	+0.20/-0.20 (+7.9/-7.9 mil)
L	Vertical Edge to Central Pin Pitch [mm]	7.15 (281.5 mil)	+0.20/-0.20 (+7.9/-7.9 mil)
M1	Central Pin to Pin Horizontal Pitch [mm]	1.8 (70.9 mil)	+0.02/-0.02 (+0.8/-0.8 mil)
M2	Central Pin to Pin Horizontal Pitch [mm]	5.2 (204.7 mil)	+0.02/-0.02 (+0.8/-0.8 mil)
M3	Central Pin to Pin Horizontal Pitch [mm]	4.5 (177.2 mil)	+0.02/-0.02 (+0.8/-0.8 mil)
N	Central Pin to Pin Vertical Pitch [mm]	2.1 (82.7 mil)	+0.02/-0.02 (+0.8/-0.8 mil)
O	Central Pin Height and Width [mm]	1.1 (43.3 mil)	+0.02/-0.02 (+0.8/-0.8 mil)
P1	Horizontal Edge to Corner Pin Pitch [mm]	1.1 (43.3 mil)	+0.20/-0.20 (+7.9/-7.9 mil)
P2	Horizontal Edge to Corner Pin Pitch [mm]	1.25 (49.2 mil)	+0.20/-0.20 (+7.9/-7.9 mil)
P3	Horizontal Edge to Corner Pin Pitch [mm]	2.85 (112.2 mil)	+0.20/-0.20 (+7.9/-7.9 mil)
Weight	Module Weight [g]	4.8	

Table 28: TOBY-L2 series dimensions



Module Height tolerance +/-0.20 mm may be exceeded close to the corners of the PCB due to cutting process: in worst case the Height could be +0.40 mm longer than the typical value.



For information regarding Footprint and Paste Mask recommended for the application board integrating the cellular module, see TOBY-L2 / MPC1-L2 series System Integration Manual [2].

6 Qualification and approvals

6.1 Reliability tests

Tests for product family qualifications according to ISO 16750 "Road vehicles - Environmental conditions and testing for electrical and electronic equipment", and appropriate standards.

6.2 Approvals



Products marked with this lead-free symbol on the product label comply with the "Directive 2002/95/EC of the European Parliament and the Council on the Restriction of Use of certain Hazardous Substances in Electrical and Electronic Equipment" (RoHS).

TOBY-L2 series modules are RoHS compliant.

No natural rubbers, hygroscopic materials, or materials containing asbestos are employed.

Table 29 summarizes the main approvals for TOBY-L2 series modules.

Certification Scheme	TOBY-L200	TOBY-L201	TOBY-L210	TOBY-L220	TOBY-L280
GCF (Global Certification Forum)	•	•	•		•
PTCRB (PCS Type Certification Review Board)	•	•	•		•
R&TTE (Radio & Telecommunications Terminal Equipment EU Directive)	•		•		•
Notified Body number	1588		1588		1588
CE (Conformité Européenne)	•		•		•
Notified Body number	1588		1588		1588
FCC (United States Federal Communications Commission)	•	•	•		•
FCC identification number	XPYTOBYL200	XPYTOBYL201	XPYTOBYL210		XPYTOBYL280
ISED (Innovation, Science and Economic Development Canada) ²²	•	•	•		•
ISED certification number	8595A-TOBYL200	8595A-TOBYL201	8595A-TOBYL210		8595A-TOBYL280
Anatel (Brazilian Certification)	•				•
RCM (Australian Regulatory Compliance Mark)			•		•
NCC (Taiwanese National Communications Commission)			•		•
KC (Korean Certification)			•		
Giteki Mark (Japanese Certification)			•	•	
SoftBank (Japanese network operator)			•		
AT&T (US network operator)	•	•			
Verizon (US network operator)		•			

Table 29: TOBY-L2 series main certification approvals summary

For the complete list of approvals and for specific details on all country and network operators' certifications, see our website www.u-blox.com or please contact the u-blox office or sales representative nearest you.

²² formerly known as IC - Industry Canada

7 Product handling & soldering

7.1 Packaging

TOBY-L2 series modules are delivered as hermetically sealed, reeled tapes to enable efficient production, production lot set-up and tear-down. For more information about packaging, see the u-blox Package Information User Guide [6].

7.1.1 Reels

TOBY-L2 series modules are deliverable in quantities of 150 pieces on a reel. The modules are delivered using the reel Type B3 described in the Figure 4 and in the u-blox Package Information Guide [6].

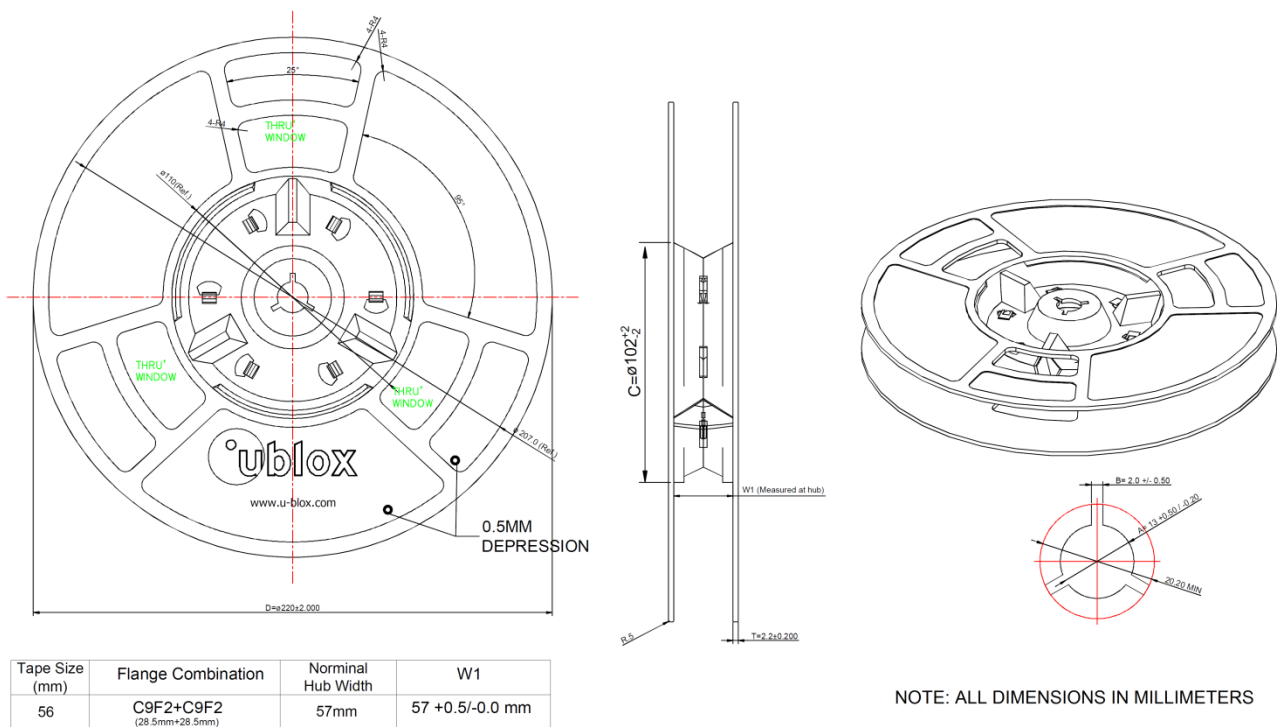


Figure 4: TOBY-L2 series modules reel

Parameter	Specification
Reel Type	B3
Delivery Quantity	150

Table 30: Reel information for TOBY-L2 series modules

Quantities of less than 150 pieces are also available. Contact u-blox for more information.

7.1.2 Tapes

Figure 5 shows the position and the orientation of TOBY-L2 modules as they are delivered on the tape, while the Figure 6 specifies the tape dimensions.

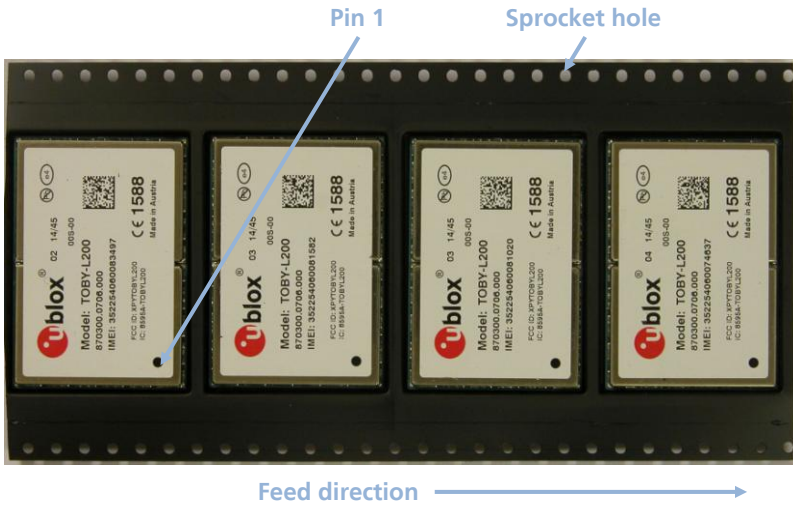


Figure 5: Orientation for TOBY-L2 modules on tape

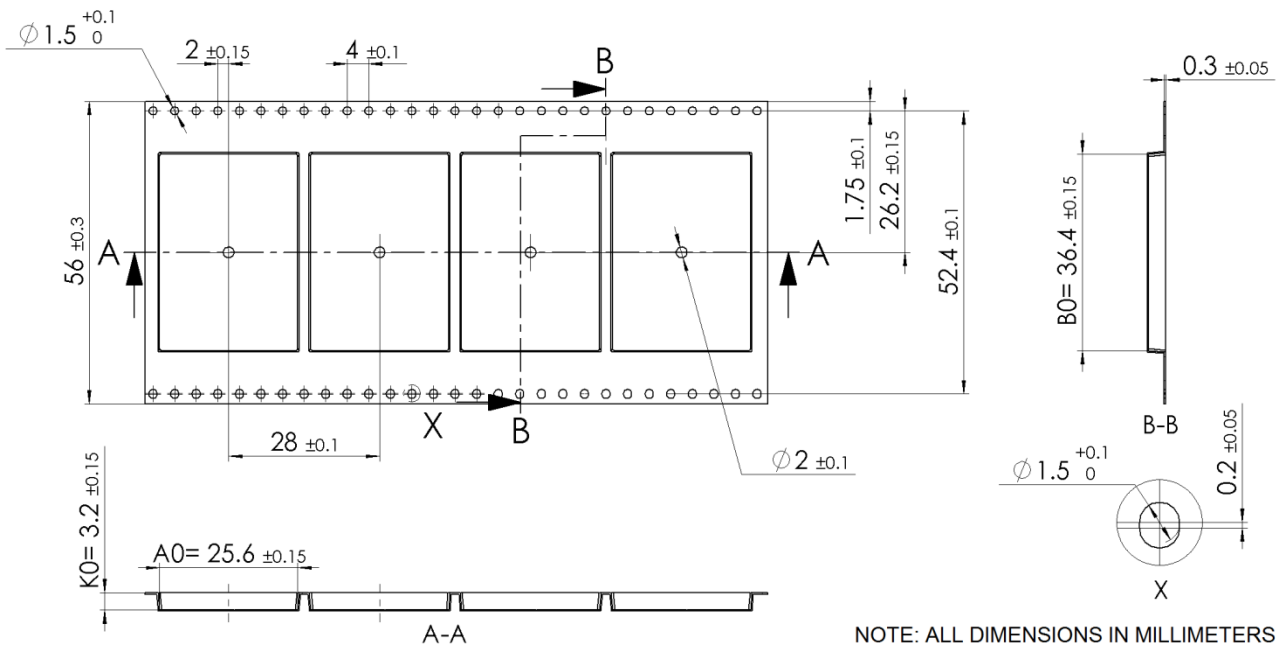



Figure 6: TOBY-L2 series modules tape

7.2 Moisture Sensitivity Levels

 **TOBY-L2 series modules are Moisture Sensitive Devices (MSD) in accordance to the IPC/JEDEC specification.**

The Moisture Sensitivity Level (MSL) relates to the packaging and handling precautions required. TOBY-L2 series modules are rated at MSL level 4. For more information regarding moisture sensitivity levels, labeling, storage and drying see the u-blox Package Information Guide [6].


 For MSL standard see IPC/JEDEC J-STD-020 (can be downloaded from www.jedec.org).

7.3 Reflow soldering

Reflow profiles are to be selected according to u-blox recommendations (see TOBY-L2 / MPC1-L2 series System Integration Manual [2]).

 **Failure to observe these recommendations can result in severe damage to the device!**

7.4 ESD precautions

 **TOBY-L2 series modules contain highly sensitive electronic circuitry and are Electrostatic Sensitive Devices (ESD). Handling TOBY-L2 series modules without proper ESD protection may destroy or damage them permanently.**

TOBY-L2 series modules are Electrostatic Sensitive Devices (ESD) and require special ESD precautions typically applied to ESD sensitive components.

Table 7 reports the maximum ESD ratings of the TOBY-L2 series modules.

Proper ESD handling and packaging procedures must be applied throughout the processing, handling and operation of any application that incorporates TOBY-L2 series module.

ESD precautions should be implemented on the application board where the module is mounted, as described in the TOBY-L2 / MPC1-L2 series System Integration Manual [2].

 **Failure to observe these recommendations can result in severe damage to the device!**

8 Default settings

Item	AT Settings	Comments
USB interface	Enabled	<p>TOBY-L2 series modules provide by default the following set of USB functions:</p> <ul style="list-style-type: none">• CDC-ACM for AT command and data• RNDIS for Ethernet-over-USB connection <p>The USB can be configured by the AT+UUSBCONF command to select different sets of USB functions available in mutually exclusive way, configuring the active USB profile consisting of a specific set of functions with various capabilities and purposes (for more details, see the TOBY-L2 / MPC1-L2 series System Integration Manual [2] and the u-blox AT Commands Manual [1], +UUSBCONF AT command).</p>
Power saving	AT+UPSV=0	Disabled
Network registration	AT+COPS=0	Self network registration

Table 31: Default settings

9 Labeling and ordering information

9.1 Product labeling

The labels of TOBY-L2 series modules include important product information as described in this section.

Figure 7 illustrates the label of all the TOBY-L2 series modules, and includes: u-blox logo, production lot, Pb-free marking, product type number, IMEI number, certification numbers, CE marking with the Notified Body number, and production country.



Figure 7: TOBY-L2 series module label

9.2 Explanation of codes

Three different product code formats are used. The **Product Name** is used in documentation such as this data sheet and identifies all the u-blox products, independent of packaging and quality grade. The **Ordering Code** includes options and quality, while the **Type Number** includes the hardware and firmware versions. Table 32 details these 3 different formats:

Format	Structure
Product Name	PPPP-TGVV
Ordering Code	PPPP-TGVV-MMQ
Type Number	PPPP-TGVV-MMQ-XX

Table 32: Product Code Formats

Table 33 explains the parts of the product code.

Code	Meaning	Example
PPPP	Form factor	TOBY
TG	Platform (Technology and Generation) <ul style="list-style-type: none"> • Dominant technology: G: GSM; U: HSUPA; C: CDMA 1xRTT; N: NB-IoT; R: LTE low data rate (Cat 1 and below); L: LTE high data rate (Cat 3 and above) • Generation: 1...9 	L2
VV	Variant function set based on the same platform [00...99]	00
MM	Major product version [00...99]	00
Q	Product grade <ul style="list-style-type: none"> • S = professional • A = automotive 	S
XX	Minor product version (not relevant for certification)	Default value is 00

Table 33: Part identification code

9.3 Ordering information

Ordering No.	Product
TOBY-L200-00S	LTE bands 2 / 4 / 5 / 7 / 17, DC-HSPA+ bands 1 / 2 / 4 / 5 / 8, (E)GPRS bands 850 / 900 / 1800 / 1900 module. Mainly designed for operation in America. 35.6 x 24.8 x 2.6 mm, 150 pcs/reel
TOBY-L200-02S	LTE bands 2 / 4 / 5 / 7 / 17, DC-HSPA+ bands 1 / 2 / 4 / 5 / 8, (E)GPRS bands 850 / 900 / 1800 / 1900 module. Mainly designed for operation in America. It supports UART, SDIO, I ² C, I ² S, ANT_DET, GPIO interfaces and embedded TCP/UDP, HTTP/FTP, TLS/SSL. 35.6 x 24.8 x 2.6 mm, 150 pcs/reel
TOBY-L201-01S	LTE bands 2 / 4 / 5 / 13 / 17, DC-HSPA+ bands 2 / 5 module. Mainly designed for operation in America. It supports UART interface and embedded TCP/UDP, HTTP/FTP. 35.6 x 24.8 x 2.6 mm, 150 pcs/reel
TOBY-L201-02S	LTE bands 2 / 4 / 5 / 13 / 17, DC-HSPA+ bands 2 / 5 module. Mainly designed for operation in America. It supports UART, SDIO, ANT_DET, GPIO interfaces and embedded TCP/UDP, HTTP/FTP. 35.6 x 24.8 x 2.6 mm, 150 pcs/reel
TOBY-L210-00S	LTE bands 1 / 3 / 5 / 7 / 8 / 20, DC-HSPA+ bands 1 / 2 / 5 / 8, (E)GPRS bands 850 / 900 / 1800 / 1900 module. Mainly designed for operation in Europe, Asia and other countries. 35.6 x 24.8 x 2.6 mm, 150 pcs/reel
TOBY-L210-60S	LTE bands 1 / 3 / 5 / 7 / 8 / 20, DC-HSPA+ bands 1 / 2 / 5 / 8, (E)GPRS bands 850 / 900 / 1800 / 1900 module. Approved by SoftBank Japanese mobile network operator. It supports UART interface. 35.6 x 24.8 x 2.6 mm, 150 pcs/reel
TOBY-L210-62S	LTE bands 1 / 3 / 5 / 7 / 8 / 20, DC-HSPA+ bands 1 / 2 / 5 / 8, (E)GPRS bands 850 / 900 / 1800 / 1900 module. Approved by SoftBank Japanese mobile network operator. It supports UART, SDIO, I ² C, I ² S, ANT_DET, GPIO interfaces, embedded TCP/UDP, HTTP/FTP, TLS/SSL. 35.6 x 24.8 x 2.6 mm, 150 pcs/reel
TOBY-L210-02S	LTE bands 1 / 3 / 5 / 7 / 8 / 20, DC-HSPA+ bands 1 / 2 / 5 / 8, (E)GPRS bands 850 / 900 / 1800 / 1900 module. Mainly designed for operation in Europe, Asia and other countries. It supports UART, SDIO, I ² C, I ² S, ANT_DET, GPIO interfaces and embedded TCP/UDP, HTTP/FTP, TLS/SSL. 35.6 x 24.8 x 2.6 mm, 150 pcs/reel
TOBY-L220-02S	LTE bands 1 / 3 / 5 / 8 / 19, DC-HSPA+ bands 1 / 8 / 19 module. Mainly designed for operation in Japan. It supports UART, SDIO, I ² C, I ² S, ANT_DET, GPIO interfaces and embedded TCP/UDP, HTTP/FTP, TLS/SSL. 35.6 x 24.8 x 2.6 mm, 150 pcs/reel
TOBY-L280-02S	LTE bands 1 / 3 / 5 / 7 / 8 / 28, DC-HSPA+ bands 1 / 2 / 5 / 8, (E)GPRS bands 850 / 900 / 1800 / 1900 module. Mainly designed for operation in South East-Asia and Oceania. It supports UART, SDIO, I ² C, I ² S, ANT_DET, GPIO interfaces and embedded TCP/UDP, HTTP/FTP, TLS/SSL. 35.6 x 24.8 x 2.6 mm, 150 pcs/reel

Table 34: Product ordering codes

Appendix

A Glossary

Name	Definition
16QAM	16 Quadrature Amplitude Modulation
8-PSK	8 Phase-Shift Keying modulation
ACM	Abstract Control Model
ADC	Analog to Digital Converter
BER	Bit Error Rate
CDC	Communications Device Class
CSFB	Circuit Switched Fall-Back
DDC	Display Data Channel (I ² C compatible) Interface
DL	Down-link (Reception)
DRX	Discontinuous Reception
ECM	Ethernet networking Control Model
EDGE	Enhanced Data rates for GSM Evolution
ERS	External Reset Input Signal
ESD	Electrostatic Discharge
FOAT	Firmware update Over AT commands
FOTA	Firmware update Over The Air
FW	Firmware
GDI	Generic Digital Interfaces (power domain)
GMSK	Gaussian Minimum-Shift Keying modulation
GND	Ground
GPIO	General Purpose Input Output
GSM	Global System for Mobile Communication
H	High
HSDPA	High Speed Downlink Packet Access
HSUPA	High Speed Uplink Packet Access
I	Input (means that this is an input port of the module)
I ² C	Inter-Integrated Circuit Interface
I ² S	Inter-IC Sound Interface
IMEI	International Mobile Equipment Identity
IMS	IP Multimedia Subsystem
L	Low
LGA	Land Grid Array
LTE	Long Term Evolution
MIMO	Multi-Input Multi-Output
N/A	Not Applicable
O	Output (means that this is an output port of the module)
OD	Open Drain
PCN / IN	Product Change Notification / Information Note
PD	Pull-Down
POS	Power-On Input Signal
PU	Pull-Up
QPSK	Quadrature Phase-Shift Keying modulation
RMC	Reference Measurement Channel
RNDIS	Remote Network Driver Interface Specification

Name	Definition
SDIO	Secure Digital Input Output
SIM	Subscriber Identity Module
T	Tristate
TBD	To Be Defined
UART	Universal Asynchronous Receiver-Transmitter serial interface
UL	Up-link (Transmission)
UMTS	Universal Mobile Telecommunications System
USB	Universal Serial Bus
VoLTE	Voice over LTE

Table 35: Explanation of abbreviations and terms used

Related documents

- [1] u-blox AT Commands Manual, Docu No UBX-13002752
- [2] u-blox TOBY-L2 / MPCII-L2 series System Integration Manual, Docu No UBX-13004618
- [3] u-blox Android RIL Production delivery Application note, Docu No UBX-13002041
- [4] u-blox Mux Implementation Application Note, Docu No UBX-13001887
- [5] u-blox Wi-Fi / Cellular Integration Application Note, Docu No UBX-14003264
- [6] u-blox Package Information User Guide, Docu No UBX-14001652
- [7] 3GPP TS 27.007 - AT command set for User Equipment (UE)
- [8] 3GPP TS 27.005 - Use of Data Terminal Equipment - Data Circuit terminating Equipment (DTE - DCE) interface for Short Message Service (SMS) and Cell Broadcast Service (CBS)
- [9] 3GPP TS 27.010 - Terminal Equipment to User Equipment (TE-UE) multiplexer protocol
- [10] 3GPP TS 36.521-1 - Evolved Universal Terrestrial Radio Access; User Equipment conformance specification; Radio transmission and reception; Part 1: Conformance Testing
- [11] 3GPP TS 34.121-1 - User Equipment conformance specification; Radio transmission and reception (FDD); Part 1: Conformance specification
- [12] 3GPP TS 51.010-1 - Mobile Station conformance specification; Part 1: Conformance specification
- [13] ITU-T Recommendation V24, 02-2000. List of definitions for interchange circuits between Data Terminal Equipment (DTE) and Data Connection Equipment (DCE)
- [14] Universal Serial Bus Revision 2.0 specification, http://www.usb.org/developers/docs/usb20_docs/
- [15] u-blox Windows Embedded OS USB Driver Installation Application Note, Docu No UBX-14003263
- [16] I²C-bus specification and user manual - Rev. 5 - 9 October 2012 - NXP Semiconductors, http://www.nxp.com/documents/user_manual/UM10204.pdf
- [17] IEC 60079-0 - Explosive atmospheres, Part 0: Equipment general requirements
- [18] IEC 60079-11 - Explosive atmospheres, Part 11: Equipment protection by intrinsic safety 'i'
- [19] IEC 60079-26 - Explosive atmospheres, Part 26: Equipment with EPL Ga



For regular updates to u-blox documentation and to receive product change notifications please register on our homepage (www.u-blox.com).

Revision history

Revision	Date	Name	Comments
R01	02-Dec-2013	jpod / sses	Initial release
R02	23-Jul-2014	sses	Advance Information document status Updated module pin 4 definition: VUSB_DET instead of RSVD; Updated UART, GPIOs and SIM detection support; Updated receiver sensitivity performance; Updated VCC current consumption; Updated PWR_ON and RESET_N timings characteristics
R03	30-Sep-2014	sses	Added and updated minor electrical characteristics
R04	28-Nov-2014	sses	Early Production Information document status Updated VUSB_DET description: the VUSB_DET functionality is not supported, and the pin should be left unconnected or it should not be driven high Added and updated minor electrical characteristics
R05	30-Jan-2015	sses	Added description of TOBY-L2xx-50S modules – the “50” product version. Updated UART, SDIO, GPIO sections and added consumption figures with USB not connected.
R06	04-Mar-2015	sfal	Extended the document applicability to TOBY-L201-01S and TOBY-L280-00S
R07	29-May-2015	sses	Document status reverted to Advance Information Corrected UART supported functionalities description. Added current consumption figures with module in low-power idle mode.
R08	31-Jul-2015	sses	Document status reverted to Objective Specification. Added description of TOBY-L200-02S and TOBY-L210-02S product versions.
R09	19-Aug-2015	sses	Early Production Information document status. Added description of TOBY-L210-60S product version.
R10	25-Sep-2015	lpah	Document status reverted to Advance Information
R11	14-Oct-2015	sses	Document status reverted to Objective Specification. Added description of TOBY-L220-02S and TOBY-L280-02S product versions. Removed description of TOBY-L2xx-50S and TOBY-L280-00S product versions.
R12	26-Nov-2015	lpah	Document status changed to Early Production Information.
R13	03-Mar-2016	sses	Document status reverted to Advance Information. Added description of TOBY-L210-62S product version.
R14	31-Mar-2016	sses	Updated features planned for future product versions. Minor other corrections and description improvements.
R15	27-Apr-2016	lpah	Document status changed to Production Information
R16	15-Jul-2016	sses	Document status reverted to Objective Specification. Added description of TOBY-L201-02S product version.
R17	28-Sep-2016	sses	Document status updated to Advance Information. Updated support of some minor features in specific product versions.
R18	21-Oct-2016	lpah / sses	Document status updated to Early Production Information. Extended applicability to TOBY-L280-72S. Minor other corrections and description improvements.
R19	25-Nov-2016	lpah / sses	Extended applicability to TOBY-L200-00S-01. Removed applicability to TOBY-L280-72S.
R20	21-Dec-2016	lpah / sses	"Disclosure restriction" replaces "Document status" on page 2 and document footer. Extended document applicability to TOBY-L200-02S-01, TOBY-L210-02S-01 and TOBY-L280-02S-01. Updated support of some features in specific product versions.

Contact

For complete contact information visit us at www.u-blox.com

u-blox Offices

North, Central and South America

u-blox America, Inc.

Phone: +1 703 483 3180
E-mail: info_us@u-blox.com

Regional Office West Coast:

Phone: +1 408 573 3640
E-mail: info_us@u-blox.com

Technical Support:

Phone: +1 703 483 3185
E-mail: support_us@u-blox.com

Headquarters

Europe, Middle East, Africa

u-blox AG

Phone: +41 44 722 74 44
E-mail: info@u-blox.com
Support: support@u-blox.com

Asia, Australia, Pacific

u-blox Singapore Pte. Ltd.

Phone: +65 6734 3811
E-mail: info_ap@u-blox.com
Support: support_ap@u-blox.com

Regional Office Australia:

Phone: +61 2 8448 2016
E-mail: info_au@u-blox.com
Support: support_ap@u-blox.com

Regional Office China (Beijing):

Phone: +86 10 68 133 545
E-mail: info_cn@u-blox.com
Support: support_cn@u-blox.com

Regional Office China (Chongqing):

Phone: +86 23 6815 1588
E-mail: info_cn@u-blox.com
Support: support_cn@u-blox.com

Regional Office China (Shanghai):

Phone: +86 21 6090 4832
E-mail: info_cn@u-blox.com
Support: support_cn@u-blox.com

Regional Office China (Shenzhen):

Phone: +86 755 8627 1083
E-mail: info_cn@u-blox.com
Support: support_cn@u-blox.com

Regional Office India:

Phone: +91 80 4050 9200
E-mail: info_in@u-blox.com
Support: support_in@u-blox.com

Regional Office Japan (Osaka):

Phone: +81 6 6941 3660
E-mail: info_jp@u-blox.com
Support: support_jp@u-blox.com

Regional Office Japan (Tokyo):

Phone: +81 3 5775 3850
E-mail: info_jp@u-blox.com
Support: support_jp@u-blox.com

Regional Office Korea:

Phone: +82 2 542 0861
E-mail: info_kr@u-blox.com
Support: support_kr@u-blox.com

Regional Office Taiwan:

Phone: +886 2 2657 1090
E-mail: info_tw@u-blox.com
Support: support_tw@u-blox.com