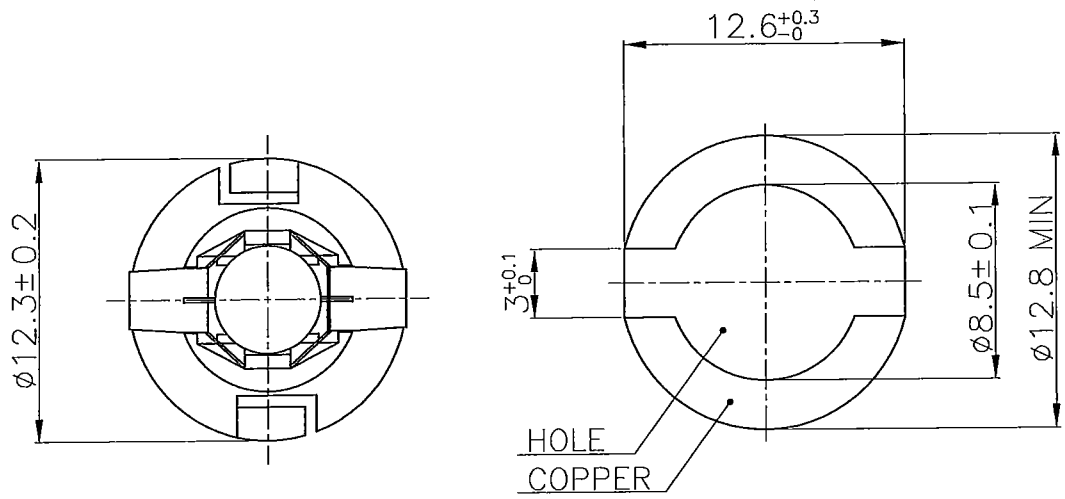
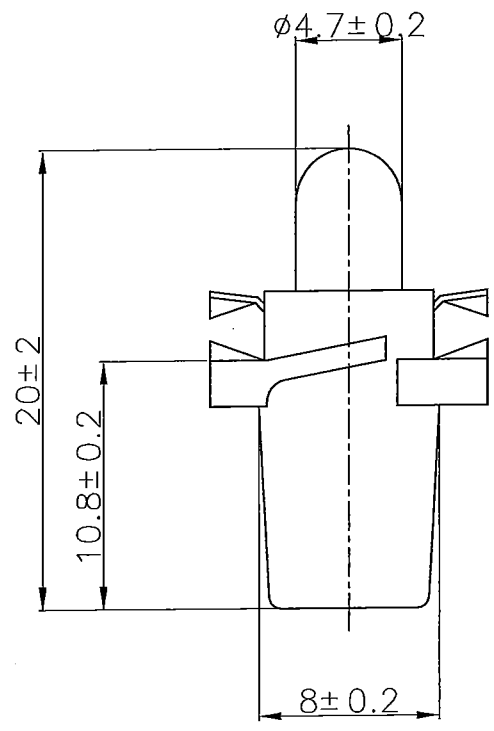


D.W.G. 805973	REV.	REVISIONS			
		LET	DESCRIPTION	BY	DATE




PCB Thickness 1.45~1.65mm



P/No. OL-5017PBB  
 DESIGN VOLT 28V  
 DESIGN AMP 40mA ± 10%  
 Light Output 0.3MSCP ± 25%  
 FILAMENT SHAPE C-2F  
 BASE COLOR WHITE



SCALE 3/1	UNIT m.m	MATERIAL	
TITLE T-1 1/2 PBB LAMP	DATE 120328	 <b>Oshino Lamps Limited</b> SHINAGAWA, TOKYO, JAPAN	
DRAWN T.H	CHECKED T.Y	APPROVED <i>TAKA</i>	D.W.G. NO. 805973 REV.