



1/2-INCH CMOS ACTIVE- PIXEL DIGITAL IMAGE SENSOR

MT9M001

Micron Part Number: MT9M001C12STC

Introduction

The MT9M001 is a SXGA-format 1/2-inch CMOS active-pixel digital image sensor. The active imaging pixel array is 1280H x 1024V. It incorporates sophisticated camera functions on-chip such as windowing, column and row skip mode, and snapshot mode. It is programmable through a simple two-wire serial interface.

The sensor can be operated in its default mode or programmed by the user for frame size, exposure, gain setting, and other parameters. The default mode outputs a SXGA-sized image at 30 frames per second (fps). An on-chip analog-to-digital converter (ADC) provides 10 bits per pixel. Frame- and line-valid signals are output on dedicated pins, along with a pixel clock that is synchronous with valid data.

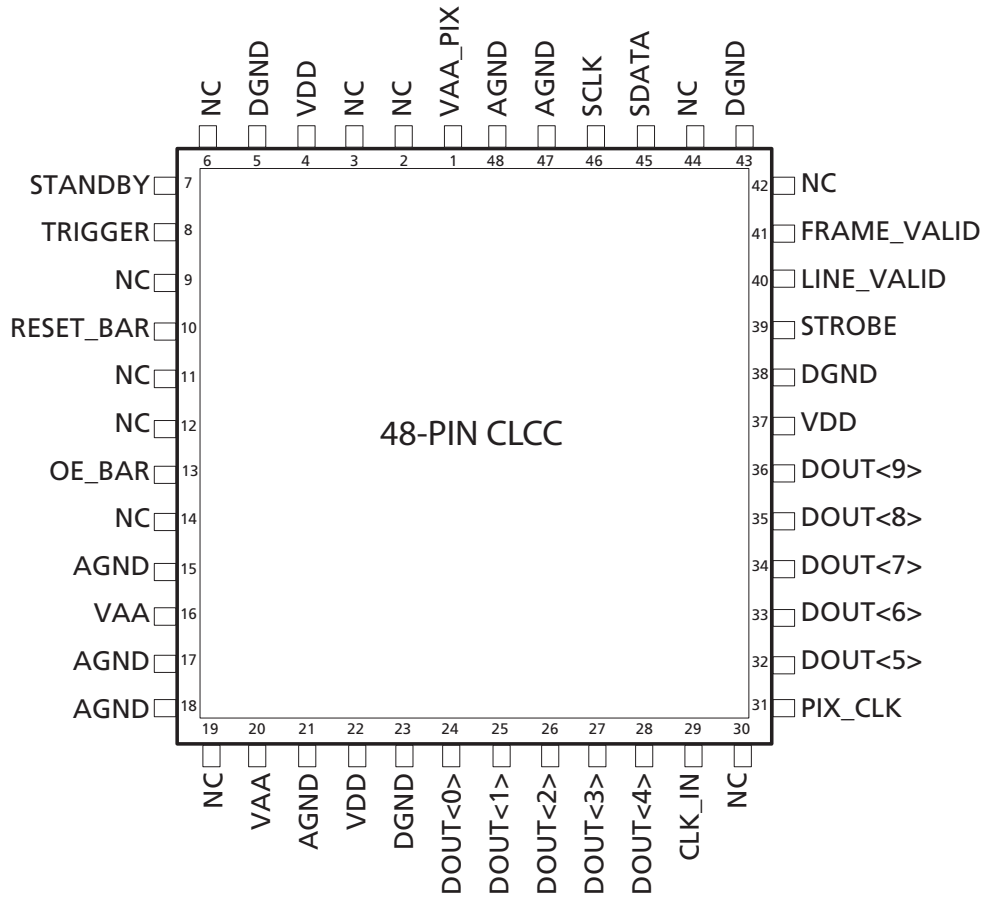
Features

- Array Format (5:4): 1,280H x 1,024V (1,310,720 active pixels). Total (incl. dark pixels): 1,312H x 1,048V (1,374,976 pixels)
- Pixel Size and Type: 5.2µm x 5.2µm active pixel photodiode-type
- Color Filter Array: R, G, and B primary color filters
- Optical Format: 1/2 inch
- Supply Voltage: 3.0V to 3.6V, 3.3V nominal
- Frame Rate: 30 fps progressive scan; programmable
- Data Rate: 48 MHz at 48 MHz master clock
- Responsivity (green pixels): 1.8 V/lux-sec with source illumination @ 550nm
- SNR_{max} >45dB
- Dynamic Range: >62dB
- Shutter: Electronic rolling shutter (ERS)
- Window Size: SXGA; programmable to any smaller format (VGA, QVGA, CIF, QCIF, etc.)
- Programmable Controls: Gain, frame rate, frame size
- ADC: On-chip 10-bit
- Power Consumption: 325mW nominal at maximum data rate, 3.3V, Standby <300µW
- Package: 48-pin CLCC
- Dark Current @ 20°C 20-30 elec/sec
- Q. E. (Green): 52%
- Temporal Noise: <10e
- Saturation Voltage: 1.2V
- Pixel Capacity: 40Ke
- Conversion Gain: 32 uV/e
- ESD Tolerances: 2000V HBM, 200V MM



1/2-INCH 1.3 MEGAPIXEL CMOS
ACTIVE-PIXEL DIGITAL IMAGE SENSOR

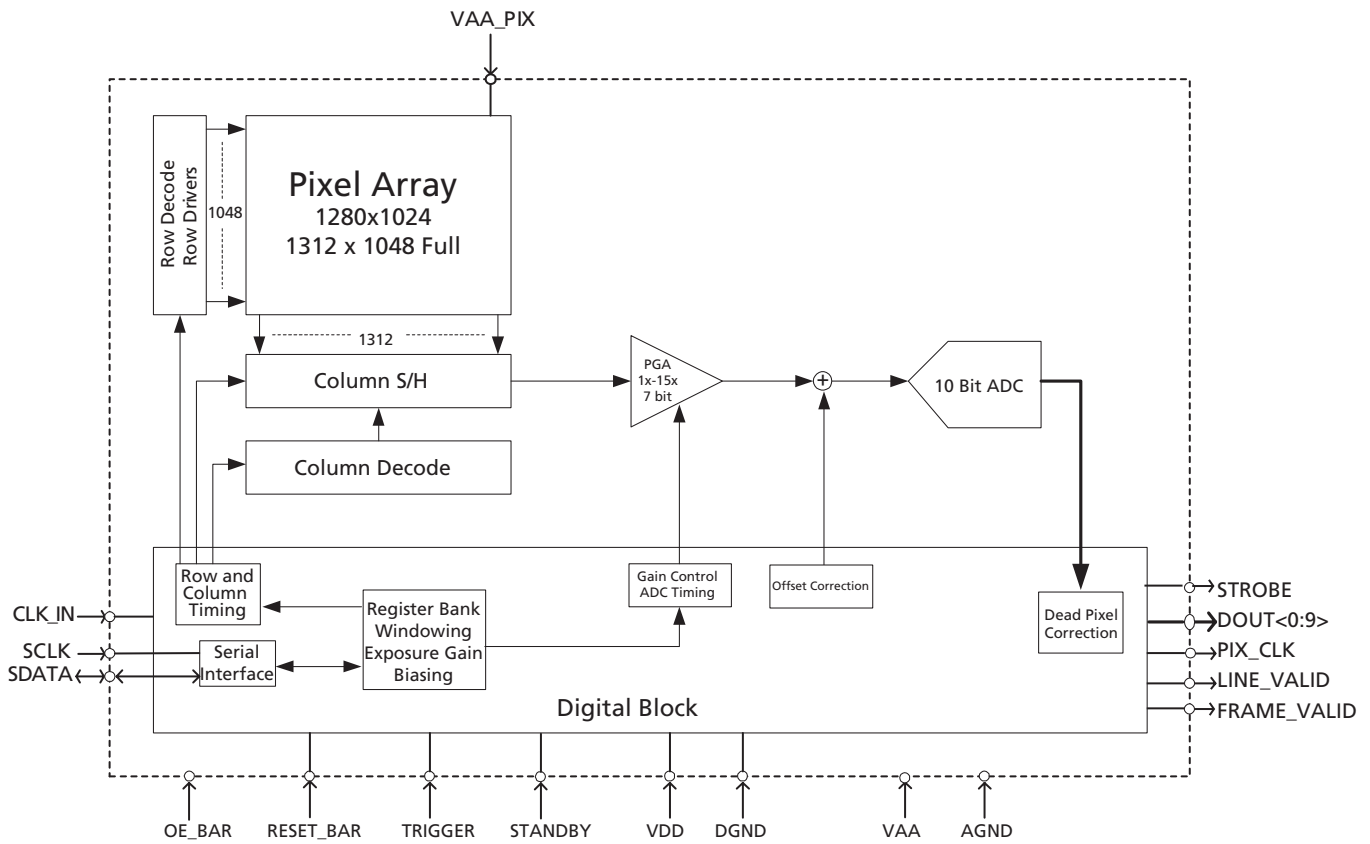
Figure 1: Pin Out Diagram





1/2-INCH 1.3 MEGAPIXEL CMOS ACTIVE-PIXEL DIGITAL IMAGE SENSOR

Figure 2: Sensor Architecture Block Diagram





Pin Description

Table 1: Pin Descriptions

PIN NUMBERS	SYMBOL	TYPE	DESCRIPTION
29	CLK_IN	Input	Clock In: Master clock into sensor (48 MHz maximum)
13	OE_BAR	Input	Output Enable: OE_BAR when HIGH places outputs DOUT<0-9>, FRAME_VALID, LINE_VALID, PIX_CLK and STROBE into a tri-state configuration
10	RESET_BAR	Input	Reset: Activates (LOW) asynchronous reset of sensor. All registers assume factory defaults
7	STANDBY	Input	Standby: Activates (HIGH) standby mode, disables analog bias circuitry for power saving mode
8	TRIGGER	Input	Trigger: Activates (HIGH) snapshot sequence
46	SCLK	Input	Serial Clock: Clock for serial interface
45	SDATA	Input/ Output	Serial Data: Serial data bus, requires 1.5kohm resister to 3.3V for pullup
24-28, 32-36	DOUT<0-9>	Output	Data Out: Pixel data output bits 0- 9, DOUT<9> (MSB), DOUT<0> (LSB)
41	FRAME_VALID	Output	Frame Valid: Output is pulsed HIGH during frame of valid pixel data
40	LINE_VALID	Output	Line Valid: Output is pulsed HIGH during line of selectable valid pixel data (see Reg #0x20 for options)
31	PIX_CLK	Output	Pixel Clock: Pixel data outputs are valid during falling edge of this clock Frequency = (master clock)
39	STROBE	Output	Strobe: Output is pulsed HIGH to indicate sensor reset operation of pixel array has completed
2, 3, 6, 9, 11, 12, 14, 19, 30, 42, 44	NC	-	No Connect: These pins must be left unconnected
4, 22, 37	VDD	Supply	Digital Power: Provide power supply for digital block, 3.3V \pm 0.3V
5, 23, 38, 43	DGND	Supply	Digital Ground: Provide isolated ground for digital block
16, 20	VAA	Supply	Analog Power: Provide power supply for analog block, 3.3V \pm 0.3V
1	VAA_PIX	Supply	Analog Pixel Power: Provide power supply for pixel array, 3.3V \pm 0.3V (3.3V)
15, 17, 18, 21, 47, 48	AGND	Supply	Analog Ground: Provide isolated ground for analog block and pixel array



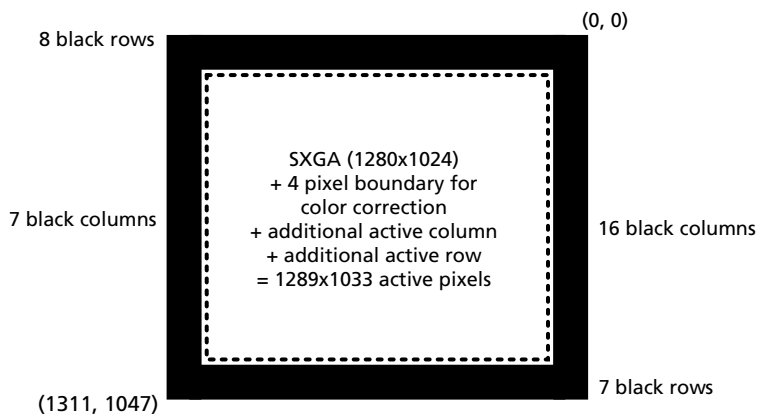
Pixel Data Format

Pixel Array Structure

The MT9M001 pixel array is 1312 columns by 1048 rows. The first 16 columns and the first 8 rows of pixels are optically black, and can be used to monitor the black level. The last seven columns and the last seven rows of pixels are also optically black. The black row data is used internally for the automatic black-level

adjustment. However, the black rows can also be read out by setting the sensor to raw data output mode (Reg0x20, bit 11 = 1). There are 1,289 columns by 1,033 rows of optically active pixels, which provides a four-pixel boundary around the SXGA (1280 x 1024) image to avoid boundary affects during color interpolation and correction.

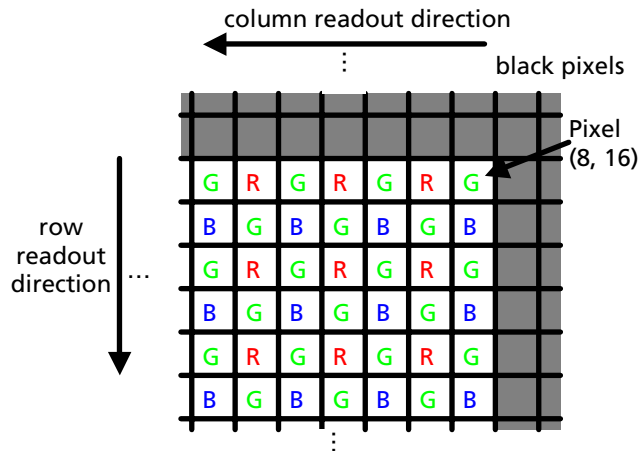
Figure 3: Pixel Array Description



The MT9M001 uses a Bayer color pattern. Even numbered rows have green and red color pixels, and odd numbered rows have blue and green color pixels.

Likewise, even numbered columns have green and blue color pixels, and odd numbered columns have red and green color pixels.

Figure 4: Pixel Color-Pattern Detail





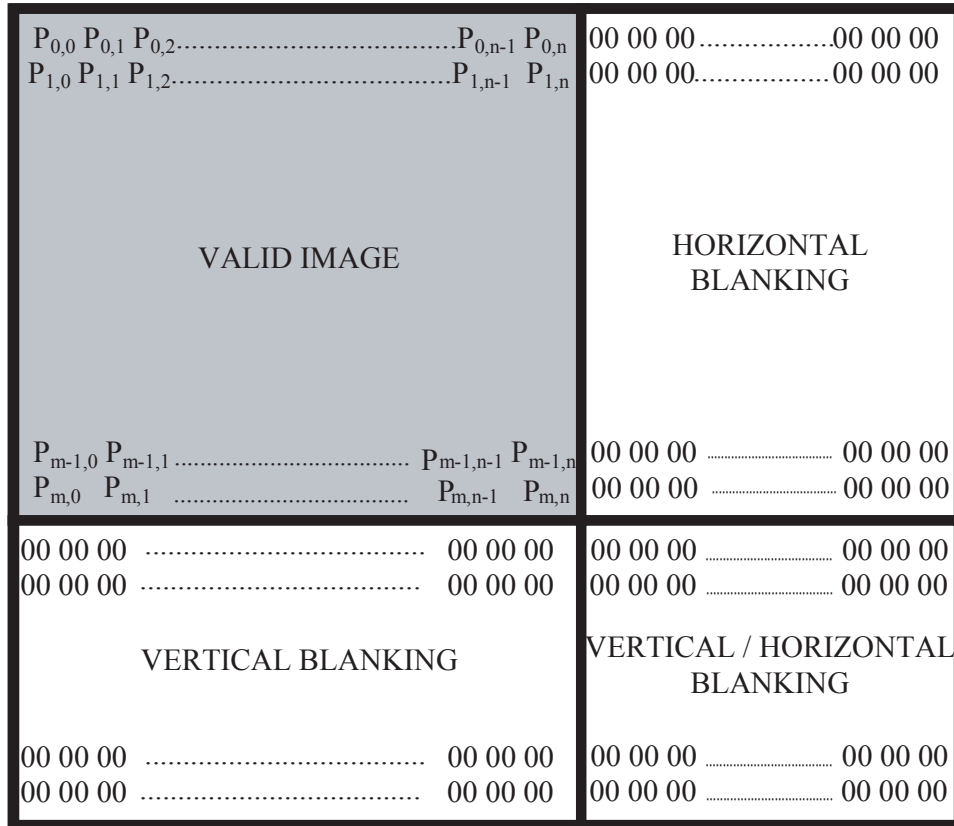
**1/2-INCH 1.3 MEGAPIXEL CMOS
ACTIVE-PIXEL DIGITAL IMAGE SENSOR**

Output Data Format

The MT9M001 image data is read out in a progressive scan. Valid image data is surrounded by horizontal and vertical blanking, as shown in Figure 5. The amount of horizontal and vertical blanking is pro-

grammable through Reg0x05 and Reg0x06, respectively. LINE_VALID is HIGH during the shaded region of the figure. FRAME_VALID timing is described in the next section.

Figure 5: Spatial Illustration of Image Readout

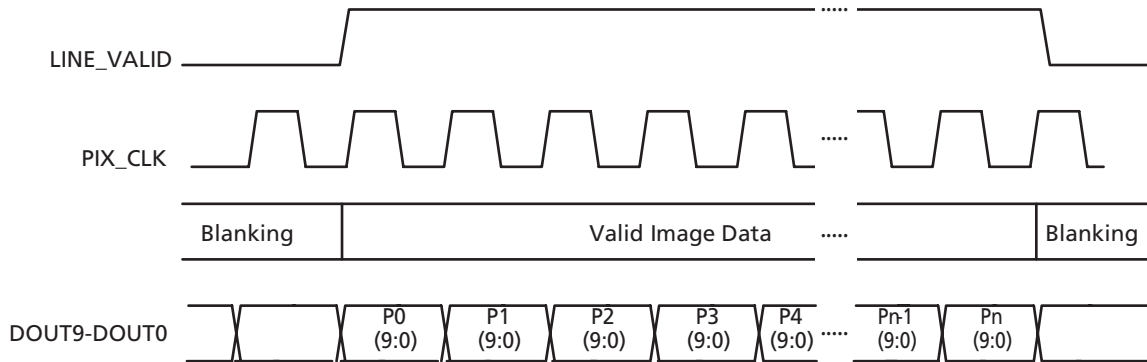




Output Data Timing

The data output of the MT9M001 is synchronized with the PIX_CLK output. When LINE_VALID is HIGH, one 10-bit pixel datum is output every PIX_CLK period.

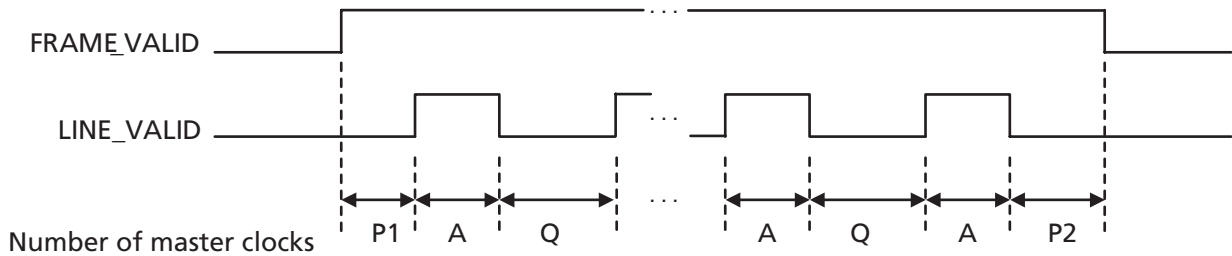
Figure 6: Timing Example of Pixel Data



The rising edges of the PIX_CLK signal are nominally timed to occur on the rising DOUT edges. This allows PIX_CLK to be used as a clock to latch the data. DOUT data is valid on the falling edge of PIX_CLK. The

PIX_CLK is HIGH while master clock is HIGH and then LOW while master clock is LOW. It is continuously enabled, even during the blanking period.

Figure 7: Row Timing and FRAME_VALID/LINE_VALID Signals





Frame Timing Formulas

Table 2: Frame Timing

PARAMETER	NAME	EQUATION (MASTER CLOCK)	DEFAULT TIMING
A	Active Data Time	$(\text{Reg0x04} + 1)^{(1)}$	1280 pixel clocks = 26.7 μ s
P1	Frame Start Blanking	(242)	242 pixel clocks = 5.04 μ s
P2	Frame End Blanking	$(2 + \text{Reg0x05} - 19)$ (minimum (Reg0x05 value = 19) ⁽²⁾)	2 pixel clocks = 0.042 μ s
Q = P1 + P2	Horizontal Blanking	$(244 + \text{Reg0x05} - 19)$ (minimum Reg0x05 value = 19) ⁽²⁾	244 pixel clocks = 5.08 μ s
A+Q	Row Time	$((\text{Reg0x04} + 1) + (244 + \text{Reg0x05} - 19))$	1524 pixel clocks = 31.75 μ s
V	Vertical Blanking	$(\text{Reg0x06} + 1) \times (A + Q)$ (minimum Reg0x06 value = 15)	39,624 pixel clocks = 825.5 μ s
N _{rows} x (A+Q)	Frame Valid Time	$(\text{Reg0x03} + 1) \times (A + Q)$	1,560,576 pixel clocks = 32.51ms
F	Total Frame Time	$(\text{Reg0x03} + 1 + \text{Reg0x06} + 1) \times (A + Q)$	1,600,200 pixel clocks = 33.34ms

NOTE:

- Row skip mode should have no effect on the integration time. Column skip mode changes the effective value of Column Size (Reg0x04) as follows:
 Column Skip 2 => $R4_{\text{eff}} = (\text{int}(R4 / 4) * 2) + 1$
 Column Skip 4 => $R4_{\text{eff}} = (\text{int}(R4 / 8) * 2) + 1$
 Column Skip 8 => $R4_{\text{eff}} = (\text{int}(R4 / 16) * 2) + 1$
 where the int() function truncates to the next lowest integer. Now use R4_{eff} in the equation for row time instead of R4
- Default for Reg0x05=9. However, sensor ignores any value for Reg0x05 less than 19.

Sensor timing is shown above in terms of pixel clock and master clock cycles (please refer to Figure 6). The recommended master clock frequency is 48 MHz. The vertical blank and total frame time equations assume that the number of integration rows (bits 13 through 0 of Reg0x09) is less than the number of active plus

blanking rows $(\text{Reg0x03} + 1 + \text{Reg0x06} + 1)$. If this is not the case, the number of integration rows must be used instead to determine the frame time, as shown in Table 3.

Table 3: Frame Time

PARAMETER	NAME	EQUATION (MASTER CLOCK)	DEFAULT TIMING
V'	Vertical Blanking (long integration time)	$(\text{Reg0x09} - \text{Reg0x03}) \times (A + Q)$	39,624 pixel clocks = 82.5 μ s
F'	Total Frame Time (long integration time)	$(\text{Reg0x09} + 1) \times (A + Q)$	1,600,200 pixel clocks = 33.34ms



Serial Bus Description

Registers are written to and read from the MT9M001 through the two-wire serial bus. The sensor is a serial slave and is controlled by the clock (SCLK), which is driven by the two-wire serial master. Data is transferred into and out of the MT9M001 through the data (SDATA) line. The SDATA line is pulled up to 3.3V off-chip by a 1.5K Ω resistor. Either the slave or master device can pull the SDATA line down – the serial protocol determines which device is allowed to pull the SDATA line down at any given time.

Protocol

The two-wire serial bus defines several different transmission codes, as follows:

- A start bit
- The slave device 8-bit address
- An (no) Acknowledge bit
- An 8-bit message
- A Stop bit

Sequence

A typical read or write sequence begins by the master sending a start bit. After the start bit, the master sends the slave device's 8-bit address. The last bit of the address determines if the request will be a read or a write, where a "0" indicates a write and a "1" indicates a read. The slave device acknowledges its address by sending an acknowledge bit back to the master.

If the request was a write, the master then transfers the 8-bit register address to which a write should take place. The slave sends an acknowledge bit to indicate that the register address has been received. The master then transfers the data 8 bits at a time, with the slave sending an acknowledge bit after each 8 bits. The MT9M001 uses 16 bit data for its internal registers, thus requiring two 8-bit transfers to write to one register. After 16 bits are transferred, the register address is automatically incremented, so that the next 16 bits are written to the next register address. The master stops writing by sending a start or stop bit.

A typical read sequence is executed as follows. First the master sends the write-mode slave address and 8-bit register address just as in the write request. The master then sends a start bit and the read-mode slave address. The master then clocks out the register data 8 bits at a time. The master sends an acknowledge bit after each 8-bit transfer. The register address is auto-

incremented after every 16 bits is transferred. The data transfer is stopped when the master sends a no-acknowledge bit.

Bus Idle State

The bus is idle when both the data and clock lines are HIGH. Control of the bus is initiated with a Start bit, and the bus is released with a Stop bit. Only the master can generate the start and stop bits.

Start Bit

The start bit is defined as a HIGH to LOW transition of the data line while the clock line is HIGH.

Stop Bit

The stop bit is defined as a LOW to HIGH transition of the data line while the clock line is HIGH.

Slave Address

The 8-bit address of an serial device consists of 7 bits of address and 1 bit of direction. A 0 in the LSB of the address indicates write-mode, and a 1 indicates read-mode.

Data Bit Transfer

One data bit is transferred during each clock pulse, which is provided by the master. The data must be stable during the HIGH period of the serial clock – it can only change when the serial clock is LOW. Data is transferred 8 bits at a time, followed by an acknowledge bit.

Acknowledge Bit

The master generates the acknowledge clock pulse. The transmitter (which is the master when writing, or the slave when reading) releases the data line, and the receiver indicates an acknowledge bit by pulling the data line LOW during the acknowledge clock pulse.

No-Acknowledge Bit

The no-acknowledge bit is generated when the data line is not pulled down by the receiver during the acknowledge clock pulse. A no-acknowledge bit is used to terminate a read sequence.



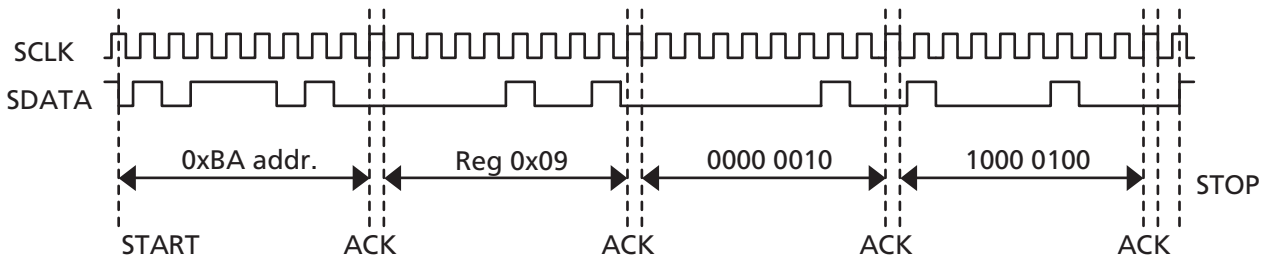
Two-Wire Serial Interface Sample Read and Write Sequences

16-Bit Write Sequence

A typical write sequence for writing 16 bits to a register is shown in Figure 8. A start bit given by the master, followed by the write address starts the sequence. The image sensor will then give an acknowledge bit and expects the register address to come first, followed by the 16 bit data. After each 8 bit the image sensor will

give an acknowledge bit. All 16 bits must be written before the register will be updated. After 16 bits are transferred, the register address is automatically incremented, so that the next 16 bits are written to the next register. The master stops writing by sending a start or stop bit.

Figure 8: Timing Diagram Showing a Write to Register 0x09 with the Value 0x0284

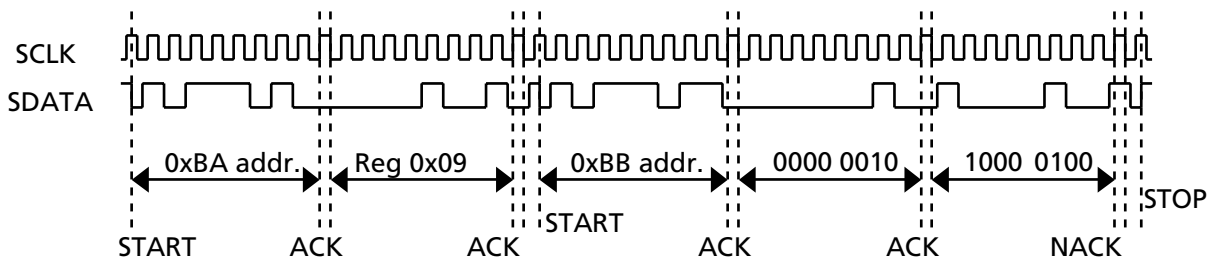


16-Bit Read Sequence

A typical read sequence for reading 16 bits from a register is shown in Figure 9. A start bit given by the master, followed by the read address starts the sequence. The image sensor will then give an acknowledge bit and expects the register address to come first, followed by the 16 bit data. After each 8 bit the image sensor will

give an acknowledge bit. All 16 bits must be written before the register will be updated. After 16 bits are transferred, the register address is automatically incremented, so that the next 16 bits are written to the next register. The master stops writing by sending a start or stop bit.

Figure 9: Timing Diagram Showing a Read From Register 0x09 with the Returned Value 0x0284





Registers

Register Map

Table 4: Register Map

REGISTER #(HEX)	DESCRIPTION	DATA FORMAT (BINARY)	DEFAULT VALUE (HEX)
0x00	Chip Version	1000 0100 0001 0001	0x8411 ⁽²⁾
0x01	Row Start	0000 0ddd dddd dddd	0x000C
0x02	Column Start	0000 0ddd dddd dddd	0x0014
0x03	Row Size (Window Height)	0000 0ddd dddd dddd	0x03FF
0x04	Col Size (Window Width)	0000 0ddd dddd dddd	0x04FF
0x05	Horizontal Blanking	0000 0ddd dddd dddd	0x0009
0x06	Vertical Blanking	0000 0ddd dddd dddd	0x0019
0x07	Output Control	0000 0000 0d00 00dd	0x0002
0x09	Shutter Width	00dd dddd dddd dddd	0x0419
0x0B	Restart	0000 0000 0000 000d	0x0000
0x0C	Shutter Delay	0000 0ddd dddd dddd	0x0000
0x0D	Reset	0000 0000 0000 000d	0x0000
0x1E	Read Options 1	1000 dddd 00dd dd00	0x8000
0x20	Read Options 2	dd01 0dd1 d00d d10d	0x1104
0x2B	Green1 Gain	0000 0000 0ddd dddd	0x0008
0x2C	Blue Gain	0000 0000 0ddd dddd	0x0008
0x2D	Red Gain	0000 0000 0ddd dddd	0x0008
0x2E	Green2 Gain	0000 0000 0ddd dddd	0x0008
0x35	Global Gain	0000 0000 0ddd dddd	0x0008
0x5F	Cal Threshold	dddd dddd d0dd dddd	0x0904
0x60 ⁽³⁾	Cal Green1	0000 000d dddd dddd	0x0000
0x61 ⁽³⁾	Cal Green2	0000 000d dddd dddd	0x0000
0x62	Cal Ctrl	d00d d100 1001 1ddd	0x0498
0x63 ⁽³⁾	Cal Red	0000 000d dddd dddd	0x0000
0x64 ⁽³⁾	Cal Blue	0000 000d dddd dddd	0x0000
0xF1	Chip Enable	0000 0000 0000 00dd	0x0001

NOTE:

- 1 = always 1
0 = always 0
d = programmable
2. Previous version used the data format of 1000 0100 0001 0001; hex value of 0x8401.
3. In default mode, calibration values start at 0 but are set via dark level calibration.


Table 5: Register Descriptions


REGISTER	BIT	DESCRIPTION
Chip ID		
0x00	0–15	This register is read-only and gives the chip id #: 0x8411
Window Control		
These registers control the size of the window.		
0x01	0–10	First row to be read out, default = 0x000C (12)
0x02	0–10	First column to be read out, default = 0x0014 (20), register value must be an even number
0x03	0–10	Window height (number of rows - 1), default = 0x03FF (1023), minimum value for 0x03 = 0x0002
0x04	0–10	Window width (number of columns - 1), default = 0x04FF (1279), register value must be an odd number. Minimum value for 0x04 = 0x0003.
Blanking Control		
These registers control the blanking time in a row (called column fill-in or horizontal blanking) and between frames (vertical blanking). Horizontal blanking is specified in terms of pixel clocks. Vertical blanking is specified in terms of row readout times. The actual imager timing can be calculated using Table 2, Frame Timing, on page 8.		
0x05	0–10	Horizontal Blank, default = 0x0009 (9 pixels)
0x06	0–10	Vertical Blank, default = 0x0019 (25 rows)
Output Control		
This register controls various features of the output format for the sensor.		
0x07	0	Synchronize changes (copied to <i>Reg0xF1</i> , bit1): 0 = normal operation, update changes to registers that affect image brightness (integration time, integration delay, gain, horizontal and vertical blank, window size, row/column skip or row mirror) at the next frame boundary 1 = do not update any changes to these settings until this bit is returned to 0
	1	Chip Enable (copied to <i>Reg0xF1</i> , bit0): 1 = normal operation 0 = stop sensor readout. When this is returned to 1, sensor readout restarts at the starting row in a new frame. The digital power consumption can then also be reduced to less than 5uA by turning off the master clock.
	2	Reserved; default is 0, set to zero at all times
	3	Reserved; default is 0, set to zero at all times
	6	Override pixel data: 0 = normal operation 1 = output programmed test data (see <i>Reg0x32</i>). First valid columns will output contents of test data register; second columns will output inverted data. Third columns will output non-inverted data, fourth inverted, etc.
Pixel Integration Control		
These registers (along with the window sizing and blanking registers) control the integration time for the pixels. The actual total integration time (T_{int}) is:		
$T_{int} = \text{Reg0x09} \times \text{row time} - \text{overhead time} - \text{reset delay, where:}$		
$\text{Row time} = ((\text{Reg0x04} + 1) + 244 + \text{Reg0x05} - 19) \text{ pixel clock periods}$		
$\text{Overhead time} = 180 \text{ pixel clock periods}$		
		
Reset delay = 4 x <i>Reg0x0C</i> pixel clock periods		
If the value in <i>Reg0x0C</i> exceeds (row time - 548)/4 pixel clock cycles, the row time will be extended by (4 x <i>Reg0x0C</i> - (row time - 548)) pixel clock cycles.		
In this expression, the row time term, $\text{Reg0x09} \times ((\text{number of columns}) + 244 + \text{horizontal blank register} - 19)$, corresponds to the number of rows integrated. The overhead time (180 pixel clocks) is the overhead time between the read cycle and the reset cycle, and the final term is the effect of the reset delay.		


Table 5: Register Descriptions (Continued)

REGISTER	BIT	DESCRIPTION
Pixel Integration Control (continued)		
Typically, the value of Reg0x09 is limited to the number of rows per frame (which includes vertical blanking rows) such that the frame rate is not affected by the integration time. If Reg0x09 is increased beyond the total number of rows per frame, the MT9M001 will add additional blanking rows as needed. A second constraint is that T_{int} must be adjusted to avoid banding in the image from light flicker. Under 60Hz flicker, this means T_{int} must be a multiple of 1/120 of a second. Under 50Hz flicker, T_{int} must be a multiple of 1/100 of a second.		
0x09	0–13	Number of rows of integration, default = 0x0419 (1049)
0x0C	0–10	Shutter delay; default = 0x0000 (0). This is the number of master clocks times four that the timing and control logic waits before asserting the reset for a given row.
Frame Restart		
0x0B	0	Setting bit 0 to '1' of Reg0x0B will cause the sensor to abandon the readout of the current frame and restart from the first row. This register automatically resets itself to 0x0000 after the frame restart. The first frame after this event is considered to be a "bad frame" (see description for Reg0x20, bit 0).
Reset		
0x0D	0	This register is used to reset the sensor to its default, power-up state. To put the MT9M001 in reset mode first write a 1 into bit 0 of this register, then write a 0 into bit 0 to resume operation.
Read Mode 1		
In read mode 1, This register is used to control many aspects of the readout of the sensor.		
0x1E	0	Reserved; default is 0, set to zero at all times
	1	Reserved; default is 0, set to zero at all times
	2	Column Skip 4; default is 0 (disable), 1=enable
	3	Row Skip 4; default is 0 (disable), 1=enable
	4	Column Skip 8; default is 0 (disable), 1=enable
	5	Row Skip 8; default is 0 (disable), 1=enable
	6	Reserved; default is 0, do not change
	7	Reserved; default is 0, do not change
	8	Snapshot Mode; default is 0 (continuous mode), 1=enable (wait for trigger; trigger can come from outside signal (trigger pin on the sensor) or from serial interface register restart, i.e. programming a 1 to bit 0 of register 0x0B.
	9	Strobe Enable; default is 0 (no strobe signal), 1=enable strobe (signal output from the sensor during the time all rows are integrating. See strobe width for more info.
10	Strobe Width; default is 0 (strobe signal width at minimum length, 1 row of integration time, prior to line valid going HIGH), 1=extend strobe width (strobe signal width extends to entire time all rows are integrating).	
0x1E	11	Strobe Override; default is 0 (strobe signal created by digital logic), 1=override strobe signal (strobe signal is set HIGH when this bit is set, LOW when this bit is set LOW. It is assumed that strobe enable is set to 0 if strobe override is being used).
	12	Reserved; default is 0, do not change
	13	Reserved; default is 0, do not change
	14	Reserved; default is 0, do not change
	15	Reserved; default is 1, do not change
Read Mode 2		
This register is used to control many aspects of the readout of the sensor		


Table 5: Register Descriptions (Continued)

REGISTER	BIT	DESCRIPTION
0x20	0	No bad frames: 1 = output all frames (including bad frames) 0 (default) = only output good frames. A bad frame is defined as the first frame following a change to: window size or position, horizontal blanking, row or column skip, or mirroring
	1	Reserved; default is 0, do not change
	2	Reserved; default is 1, set to 1 at all times
	3	Column skip: 1= read out two columns, and then skip two columns,, (for example, col 0, col 1, col 4, col 5...) 0 = normal readout (default)
	4	Row skip: 1 = read out two rows, and then skip two rows (for example, row 0, row 1, row 4, row 5...) 0 = normal readout (default)
	5	Reserved; default is 0, do not change
	6	Reserved; default is 0, set to zero at all times
	7	Flip Row; 1 = readout starting 1 row later (alternate color pair), 0 (default) = normal readout
	8	Reserved; default is 1, set to 1 at all times
	9	1 = "Continuous" Line Valid (continue producing line valid during vertical blanking) 0 = Normal Line Valid (default, no line valid during vertical blank)
	10	1 = Line valid = "Continuous" Line Valid XOR Frame Valid, 0 = Line Valid determined by bit 9
	11	Reserved; default is 0, do not change
	12	Reserved; default is 1, do not change
	13	Reserved; default is 0, do not change
	14	Reserved; default is 0, do not change
15	Mirror Row: 1 = read out from bottom to top (upside down), 0 (default) = normal readout (top to bottom)	

Gain Settings

The gain is individually controllable for each color in the Bayer pattern as shown in the register chart.

Formula for gain setting:

Gain ≤ 8

$$\text{Gain} = (\text{bit}[6] + 1) * (\text{bit}[5:0] * 0.125)$$

Gain > 8 (bit[6] = 1 and bit[5] = 1)

$$\text{Gain} = 8.0 + \text{bit}[2:0]$$

Since bit[6] of the gain registers are multiplicative factors for the gain settings, there are alternative ways of achieving certain gains. Some settings offer superior noise performance to others, despite the same overall gain. The following table lists the recommended gain settings:

Gain	Increments	Recommended Settings
1.000 to 4.000	0.125	0x08 to 0x20
4.25 to 8.00	0.25	0x51 to 0x60
9.0 to 15.0	1.0	0x61 to 0x67

0x2B	6:0	Green1 gain; default = 0x08 (8) = 1x gain
0x2C	6:0	Blue gain; default = 0x08 (8) = 1x gain
0x2D	6:0	Red gain; default = 0x08 (8) = 1x gain
0x2E	6:0	Green2 gain; default = 0x08 (8) = 1x gain
0x35	6:0	Global gain; default = 0x08 (8) = 1x gain. This register can be used to set all four gains at once. When read, it will return the value stored in <i>Reg0x2B</i> .

Black Level Calibration

These registers are used in the black level calibration. Their functionality is described in detail in the next section.


Table 5: Register Descriptions (Continued)

REGISTER	BIT	DESCRIPTION
0x5F	5:0	Thres_lo: Lower threshold for black level in ADC LSBs. Default = 000100
	7	1 = override automatic Thres_hi and Thres_lo adjust (Thres_hi always = bits 14:8; Thres_lo always = bits 5:0) Default = 0 = automatic Thres_hi and Thres_lo adjustment
	14:8	Thres_hi: Maximum allowed black level in ADC LSBs (default = Thres_lo + 5) Black level maximum is set to this value when bit 7 = 1, black level maximum is reset to this value after every black level average restart if bit 15=1 and bit 7 = 0
	15	No gain dependence: 1=Thres_lo is set by the programmed value of bits 5:0, Thres_hi is reset to the programmed value (bits 14:8) after every black level average restart 0=Thres_lo and Thres_hi are set automatically as described above
0x60	8:0	Cal Green1; analog offset correction value for Green 1, bits 0:7 sets magnitude, bit 8 set sign 0 = positive, 1 = negative
0x61	8:0	Cal Green2; analog offset correction value for Green 2, bits 0:7 sets magnitude, bit 8 set sign 0 = positive, 1 = negative
0x62	0	Manual override of black level correction 1 = override automatic black level correction with programmed values 0 = normal operation (default)
0x62	2:1	Force/disable black level calibration 00 = apply black level calibration during ADC operation only (default) 10 = apply black level calibration continuously X1= disable black level correction (Offset Correction Voltage = 0.0V) (In this case, no black level correction is possible)
	4:3	Reserved, default is 1, do not change
	6:5	Reserved; default is 0, do not change
	7	Reserved, default is 1, do not change
	9:8	Reserved; default is 0, do not change
	10	Reserved; default is 1, do not change
	11	1 = do not reset the upper threshold after a black level recalculation sweep 0 = reset the upper threshold after a black level recalculation sweep (default)
	12	1 = Start a new running digitally filtered average for the black level (this is internally reset to 0 immediately), and do a rapid sweep to find the new starting point 0 = normal operation (default)
	14:13	Reserved; default is 0, set to zero at all times
	15	1 = Do not perform the rapid black level sweep on new gain settings 0 = normal operation
0x63	8:0	Cal Red; analog offset correction value for Red, bits 0:7 sets magnitude, bit 8 set sign 0 = positive 1 = negative
0x64	8:0	Cal Blue; analog offset correction value for Blue, bits 0:7 sets magnitude, bit 8 set sign 0 = positive 1 = negative
Chip Enable and Two-wire serial interface write synchronize		


Table 5: Register Descriptions (Continued)

REGISTER	BIT	DESCRIPTION
0xF1	0	Mirrors the functionality of Reg0x07 bit 1, (Chip Enable) 1 = normal operation 0 = stop sensor readout; when this is returned to 1, sensor readout restarts at the starting row in a new frame
	1	Mirrors the functionality of Reg0x07 bit 0 (Synchronize changes) 0 = normal operation, update changes to registers that affect image brightness (integration time, integration delay, gain, horizontal and vertical blank, window size, row/column skip, or row/column mirror) at the next frame boundary 1 = do not update any changes to these settings until this bit is returned to 0



Feature Description

Signal Path

The MT9M001 signal path consists of two stages, a programmable gain stage and a programmable analog offset stage.

Programmable Gain Stage

The gain settings can be independently adjusted for the colors of green1, blue, red and green2 and are programmed through Registers 0x2B, 0x2C, 0x2D, 0x2E respectively. A total programmable gain of 15 is available and can be calculated using the following formula:

$$\text{Gain 1 to 8: Gain} = (\text{bit}[6] + 1) * (\text{bit}[5:0] * 0.125)$$

For gain higher than 8, the user would need to set bit[6:5] = 11 and use the lower 3 LSB's bit[2:0] to set the higher gain values. The formula for obtaining gain greater than 8 is as follows:

$$\text{Total gain} = 8 + \text{bit}[2:0]$$

For example, for Total gain = 12, the value to program is bit[6:0] = 1100100.

The maximum Total gain is 15, i.e. bit[6:0] = 1100111.

The gain circuitry in the MT9M001 is designed to offer signal gains from 1 to 15. The minimum gain of 1 corresponds to the lowest setting where the pixel signal is guaranteed to saturate the ADC under all specified operating conditions. Any reduction of the gain below this value may cause the sensor to saturate at ADC output values less than the maximum under certain conditions. It is recommended that this guideline be followed at all times.

Since bit[6] of the gain registers are multiplicative factors for the gain settings, there are alternative ways of achieving certain gains. Some settings offer superior noise performance to others, despite the same overall gain. Recommended gain settings are listed in Table 6.

Figure 10: Signal Path

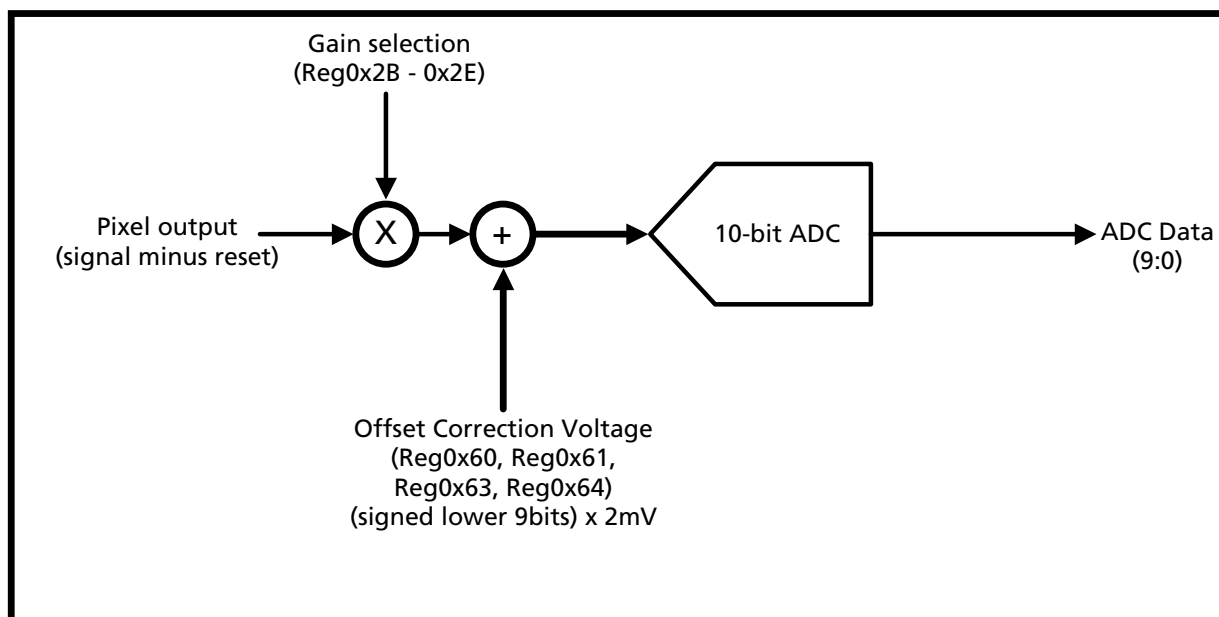





Table 6: Recommended Gain Settings @ 48 MHz

NOMINAL GAIN	INCREMENTS	RECOMMENDED SETTINGS
1 to 4.000	0.125	0x08 to 0x20
4.25 to 8.00	0.25	0x51 to 0x60
9 to 15	1.0	0x61 to 0x67

Programmable Analog Offset Stage

The programmable analog offset stage corrects for analog offset that might be present in the analog signal. The analog offset settings can be independently adjusted for the colors of green1, green2, red and blue and are programmed through Registers 0x60, 0x61, 0x63, 0x64 respectively. The user would need to program Register 0x62 appropriately to enable the analog offset correction.

The lower 8 bits (bit[7:0]) determines the absolute value of the analog offset to be corrected and bit[8] determines the sign of the correction. When bit[8] is '1', the sign of the correction is negative and vice versa. The analog value of the correction relative to the analog gain stage can be determined from the following formula:

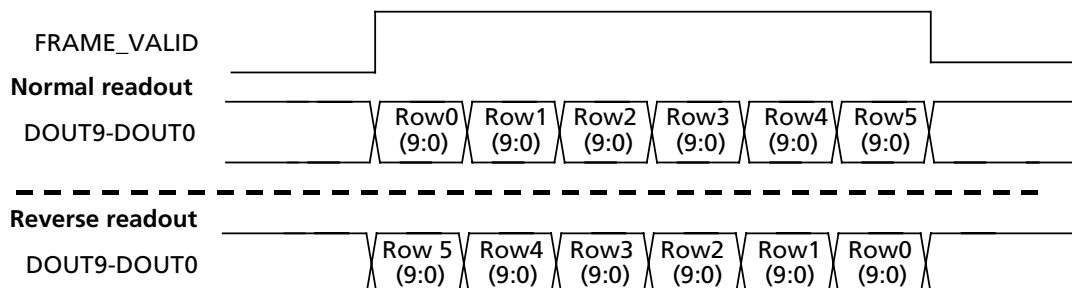
 Analog offset (bit[8] = 0) = bit[7:0] * 2mV
 Analog offset (bit[8] = 1) = - (bit[7:0] * 2mV)



Column and Row Mirror Image

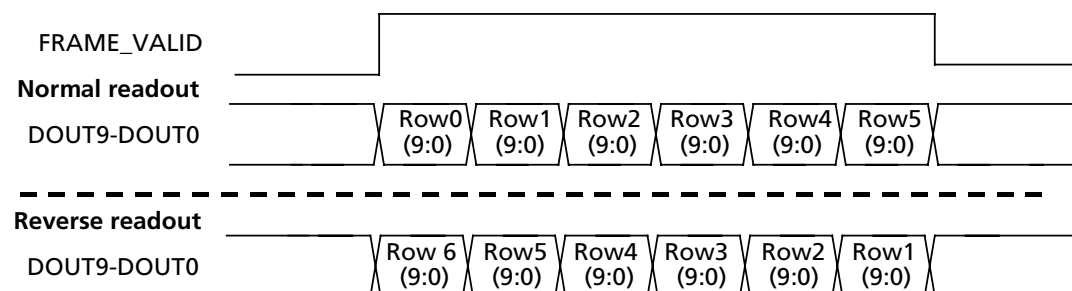
By setting bit 15 of Reg0x20, the readout order of the columns will be reversed as shown in Figure 11.

Figure 11: Readout of 6 Rows in Normal And Row Mirror Output Mode



By setting bits 15 and 7 of Reg0x20 the readout order of the rows will be reversed as shown in Figure 12.

Figure 12: Readout of 6 Rows in Normal And Row Mirror Output Mode

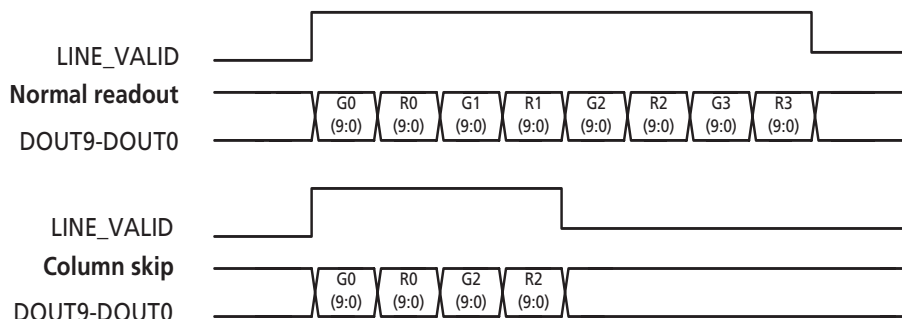


Column and Row Skip

By setting bit 3 of Reg0x20, only half of the columns set will be read out. An example is shown in Figure 13. Only columns with bit 1 equal to 0 will be read out (xxxxxxx0x). The row skip works in the same way and

will only read out rows with bit 1 equal to 0. Row skip mode is enabled by setting bit 4 of Reg0x20. For both row and column skips, the number of rows or columns read out will be half of what is set in Reg0x03 or Reg0x04, respectively.

Figure 13: Readout of 8 Pixels in Normal and Column Skip Output Mode





Black Level Calibration

The MT9M001 has automatic black level calibration on-chip. This can be overridden by the user as described below.

The automatic black level calibration measures the average value of 256 pixels from two dark rows of the chip for each of the 4 colors. (The pixels are averaged as if they were light sensitive and passed through the appropriate color gain). This average is then digitally filtered over many frames.

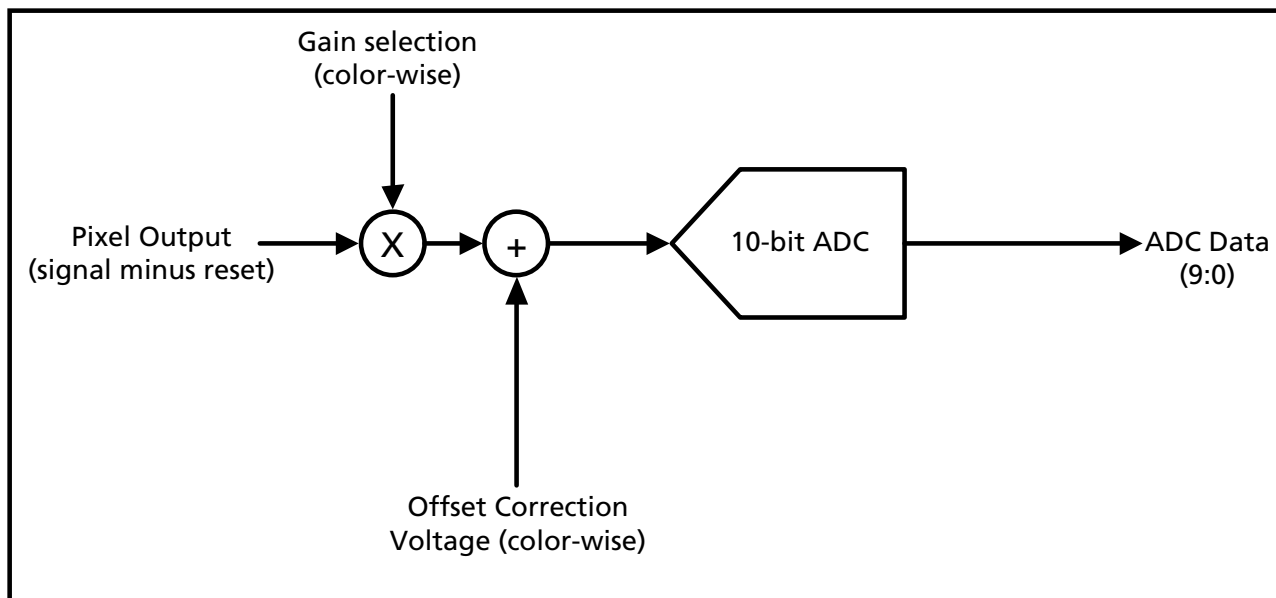
For each color, the new filtered average is compared to a minimum acceptable level (to screen for too low a black level) and a maximum acceptable level. If the average is lower than the minimum acceptable level, the offset correction voltage for that color is increased by 1 offset LSB (Note: Offset LSBs do not match ADC LSBs. Typically, 1 offset LSB is approximately 2 mV). If it is above the maximum level, the level is decreased by 1 LSB (2mV). The upper threshold is automatically adjusted upwards whenever an upward shift in the black level from below the minimum results in a new black level above the maximum. This prevents black level oscillation from below the minimum to above the

maximum. The lower threshold is increased with the maximum gain setting (out of all 4 colors), according to the formula described under Reg0x5F. This prevents clipping of the black level.

Whenever the gain or any of the readout timing registers is changed (shutter width, vertical blank, number of rows or columns, or the shutter delay) or if the black level recalculation bit, reset bit or restart bit is set, the running digitally filtered average is reset to the first average of the dark pixels. The digital filtering over many frames is then restarted. Whenever the gain or the readout timing registers are changed, the upper threshold is restored to its default value.

After changes to the sensor configuration, large shifts in the black level calibration can result. To quickly adapt to this shift, a rapid sweep of the black level during the dark row readout is performed on the first frame after certain changes to the sensor registers. Any changes to the registers listed above will cause this recalculation. The data from this sweep allows the sensor to choose an accurate new starting point for the running average. This procedure can be disabled as described under Reg0x5F.

Figure 14: Black Level Calibration Flow Chart





Black Level Registers

Table 7: Black Level Registers

REGISTER	BIT	DESCRIPTION
Reg0x5F		
This register controls the operation of the black level calibration thresholds.		
	15	No gain dependence: 1=Thres_lo is set by the programmed value of bits 5:0, Thres_hi is reset to the programmed value (bits 14:8) after every black level average restart 0=Thres_lo and Thres_hi are set automatically as described below.
	14 to 8	Thres_hi: Maximum allowed black level in ADC LSBs (default = Thres_lo + 5) Black level maximum is set to this value when bit 7 = 1, black level maximum is reset to this value after every black level average restart if bit 15=1 and bit 7 = 0.
	bit 7	1 = Override automatic Thres_hi and Thres_lo adjust (Thres_hi always = bits 14:8, Thres_lo always = bits 5:0) 0 = Automatic Thres_hi and Thres_lo adjustment
	bits 5 to 0	Thres_lo: Lower threshold for black level in ADC LSBs. Under default automatic operation (bit 7=0, bit 15=0), Thres_lo = RegGainmax/4 x (RegGainmax, bit 6 +1) x (RegGainmax, bit 7 +1), where RegGainmax is the maximum of the four independent gain register settings. Whenever a jump in the calibration causes the black level data to change from below Thres_lo to above Thres_hi, Thres_hi is adjusted according to the following: If new black level < 64: Thres_hi = Thres_lo + 2 + (2 x Delta), where Delta = new black level - Thres_lo If new black level > 63 and < 119: Thres_hi = new black level + 4 If new black level > 119: Thres_hi = 123 After any recalculation of the black level and average restart, Thres_hi is reset to either Thres_lo + 5 (automatic, default mode), Thres_hi (bit 7 = 1). Reg0x62, bit 11 will override this.
Reg0x62		
This register is used to control the automatic black level calibration circuitry.		
	15	1 = Do not perform the rapid black level sweep on new gain settings 0 = normal operation
	14	Reserved; default is 0, do not change
	13	Reserved; default is 0, do not change
	12	1 = Start a new running digitally filtered average for the black level (this is internally reset to 0 immediately), and do a rapid sweep to find the new starting point
	11	1 = do not reset the upper threshold after a black level recalculation sweep. 0 = reset the upper threshold after a black level recalculation sweep (default).
	10 to 3	Reserved; default is 1, do not change
	2 to 1	Force/disable black level calibration 00 = apply black level calibration during ADC operation only (default) 10 = apply black level calibration continuously X1= disable black level correction (Offset Correction Voltage = Skew Voltage = 0.0V) (In this case, no black level correction is possible)
	0	Manual override of black level correction 1 = Override automatic black level correction with programmed values 0 = normal operation (default)


Table 7: Black Level Registers (Continued)

REGISTER	BIT	DESCRIPTION
Reg0x60, Reg0x61, Reg0x63, Reg0x64		<p>These registers contain the 9-bit signed black level calibration values for the 4 colors in the Bayer pattern. In normal operation, these values are calculated at the beginning of each frame. However, if Reg0x62, bit 0 is set to 1, these registers can be written to, overriding the automatic black level calculation. This feature can be used in conjunction with readout of the black rows (Reg0x20, bit 11) if the user would like to use an external black level calibration circuit. The offset correction voltage is generated according to the following formula:</p> $\text{Offset Correction Voltage} = (9\text{-bit signed calibration value, } -256 \text{ to } 255) \times (2\text{mV} \times \text{Enable bit})$ $\text{ADC input voltage} = \text{Pixel Output Voltage} \times \text{Analog Gain} - \text{Offset Correction Voltage}$

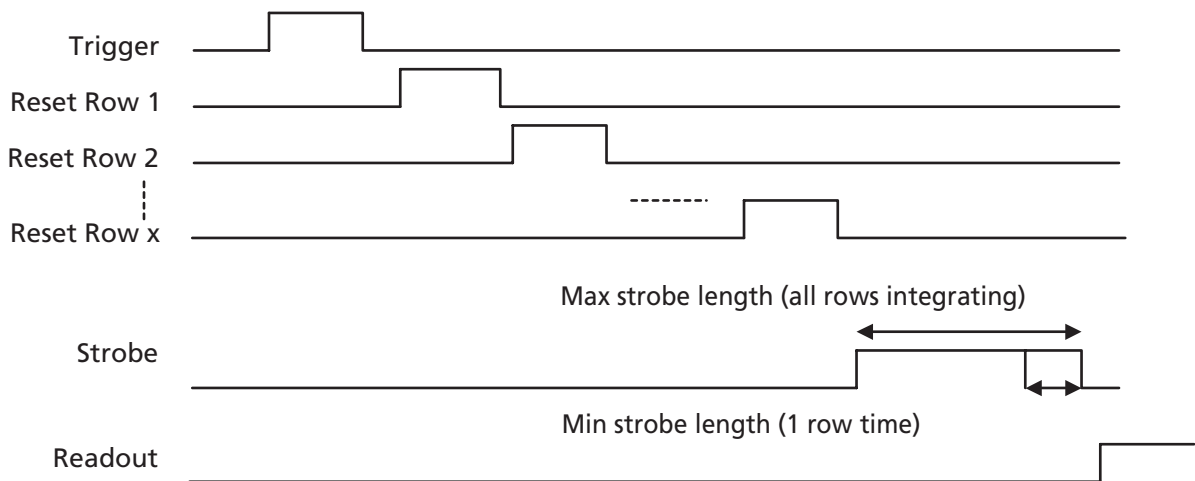


Still Image Capture with External Synchronization

In continuous mode video image capture, the TRIGGER signal should be held LOW or '0'. To capture a still image, the sensor must first be put into snapshot mode by programming a 1 in register 0x1E, bit 8. In snapshot mode, the sensor waits for a trigger signal (frame valid, line valid signals are LOW, pixel clk signal

continues). When the trigger signal is received (active HIGH), one frame is read out (a trigger signal can also be achieved by programming a restart, for example, program a 1 to bit 0 of register 0x0B). The reset, read-out timing for that frame will be the same as for a continuous frame with similar register settings; the only difference is that only 1 frame is read out. General timing for snapshot mode is shown in Figure 15.

Figure 15: General Timing for Snapshot Mode



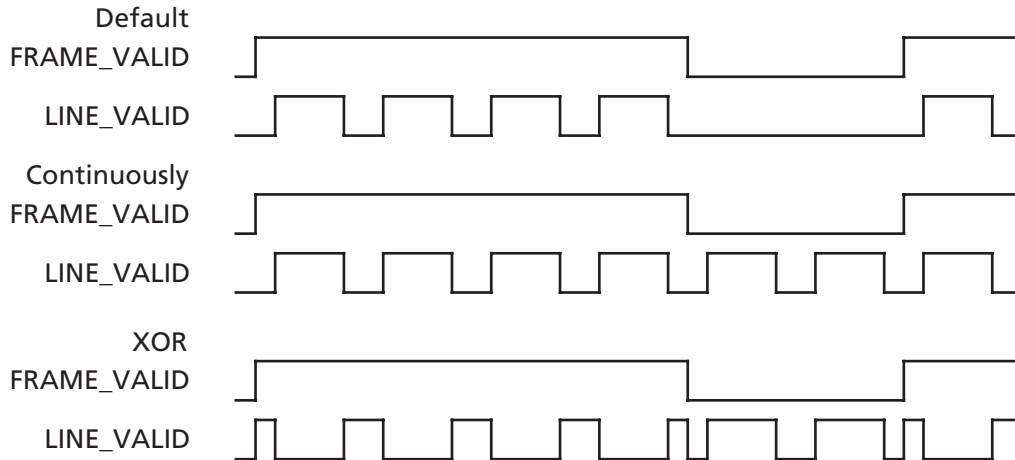


Line Valid Signal

By setting bit 9 and 10 of Reg0x20 the line valid signal can get three different output formats. The formats are shown in Figure 16 when reading out 4 rows and 2

vertical blanking rows. In the last format the line valid signal is the XOR between the continuously line valid signal and the frame valid signal.

Figure 16: Different Line Valid Formats





Electrical Specifications

Table 8: DC Electrical Characteristics

 (V_{pwr} = 3.3 ± 0.3V; T_A = 25°C)

SYMBOL	DEFINITION	CONDITION	MIN	TYP	MAX	UNIT
V _{IH}	Input High Voltage		V _{pwr} -0.3	3.3	V _{pwr} +0.3	V
V _{IL}	Input Low Voltage		-0.3	0.0	0.8	V
I _{IN}	Input Leakage Current	No Pull-up Resistor; V _{IN} = V _{PWR} or V _{GND}	-15	0.8	15	μA
V _{OH}	Output High Voltage		V _{pwr} -0.2	3.3		V
V _{OL}	Output Low Voltage			0.0	0.2	V
I _{OZ}	Tri-state Output Leakage Current				15	μA
I _{PWRA}	Analog Quiescent Supply Current	default settings	TBD	85	TBD	mA
I _{PWRD}	Digital Quiescent Supply Current	CLK_IN = 48 MHz; default setting, CLOAD = 10pF	16	20	24	mA
I _{PWRA} Standby	Analog Standby Supply Current	STDBY=V _{DD} *	TBD	TBD	TBD	μA
I _{PWRD} Standby	Digital Standby Supply Current	STDBY=V _{DD} *, CLK_IN = 0 MHz	TBD	9	TBD	μA
I _{PWRD} Standby ClkOn	Digital Standby Supply Current with Clock On	STDBY=V _{DD} , CLK_IN = 27 MHz	TBD	TBD	TBD	μA

NOTE:

To place the chip in standby mode, first raise STANDBY to V_{DD}, then wait two master clock cycles before turning off the master clock. Two master clock cycles are required to place the analog circuitry into standby, low-power mode.

Table 9: AC Electrical Characteristics

 (V_{PWR} = 3.3 ± 0.3V; T_A = 25°C; CLK_IN @ 48 MHz)

SYMBOL	DEFINITION	CONDITION	MIN	TYP	MAX	UNIT
FCLK_IN	Input Clock Frequency Clock		1		48	MHz
	Duty Cycle		45/55	50/50	55/45	MIN/MAX
t _r	InputClock Rise Time		TBD	TBD	TBD	MIN/MAX
t _f	Input CLock Fall Time		TBD	TBD		ns
t _{plhP}	CLK_IN to PIX_CLK propagation delay, low to high	CLOAD = 10pF	TBD	TBD	TBD	ns
t _{phIP}	CLK_IN to PIX_CLK propagation delay, high to low	CLOAD = 10pF	TBD	TBD	TBD	ns
t _{plhD}	CLK_IN to DOUT<9:0> propagation delay, low to high	CLOAD = 10pF	TBD	TBD	TBD	ns
t _{phID}	CLK_IN to DOUT<9:0> propagation delay, high to low	CLOAD = 10pF	TBD	TBD	TBD	ns
t _{oh}	Data Hold Time		TBD	TBD	TBD	ns
t _{plhF,L}	CLK_IN to FRAME_VALID and LINE_VALID propagation, low to high	CLOAD = 10pF	TBD	TBD	TBD	ns
t _{phF,L}	CLK_IN to FRAME_VALID and LINE_VALID propagation, high to low		TBD	TBD	TBD	ns



1/2-INCH 1.3 MEGAPIXEL CMOS ACTIVE-PIXEL DIGITAL IMAGE SENSOR

Propagation Delay for Frame Valid and Line Valid Signals

The line valid and frame valid signals change on the same falling master clock edge as the data output. The line valid goes HIGH on the same rising master clock edge as the output of the first valid pixel's data and returns LOW on the same master clock rising edge as the end of the output of the last valid pixel's data.

As shown in the Output Data Format and Timing section, frame valid goes HIGH 242 pixel clocks prior to the time that the first line valid goes HIGH. It returns LOW at a time corresponding to $(2 + \text{Reg0x05} - 19)$ pixel clocks after the last line valid goes LOW.

Note that the data outputs change on the rising edge of the master clock.

Figure 17: Propagation Delays for Frame and Line Valid Signals

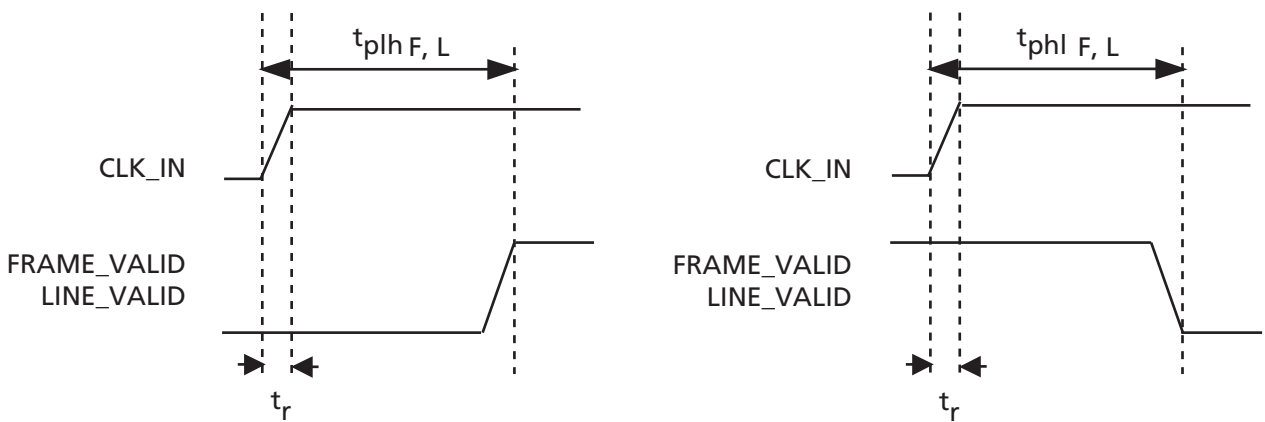
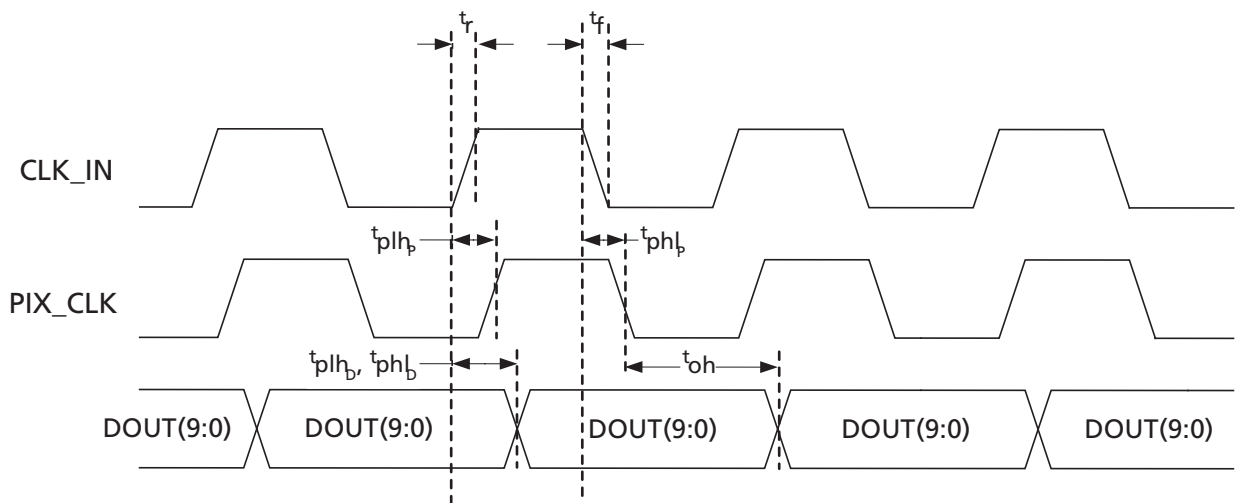


Figure 18: Propagation Delays for Pix_Clk and Data Out Signals





Two-Wire Serial Bus Timing

The two-wire serial bus operation requires certain minimum master clock cycles between transitions. These are specified in the following diagrams in master clock cycles.

Figure 19: Serial Host Interface Start Condition Timing

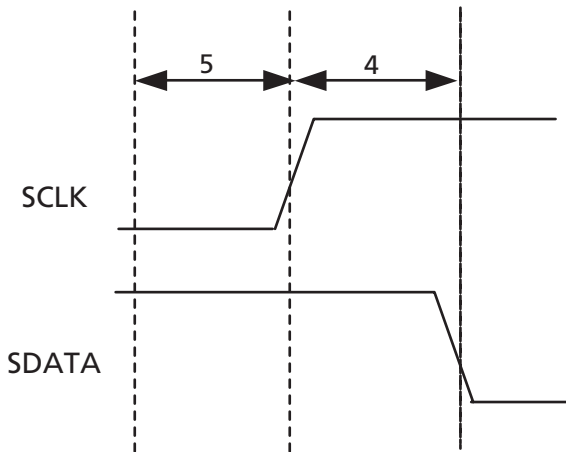
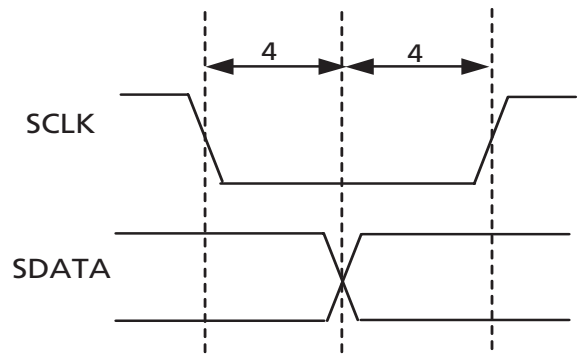


Figure 21: Serial Host Interface Data Timing for Write



NOTE: SDATA is driven by off-chip transmitter

Figure 20: Serial Host Interface Stop Condition Timing

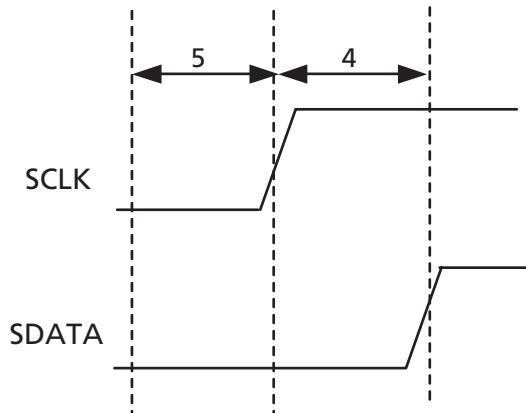
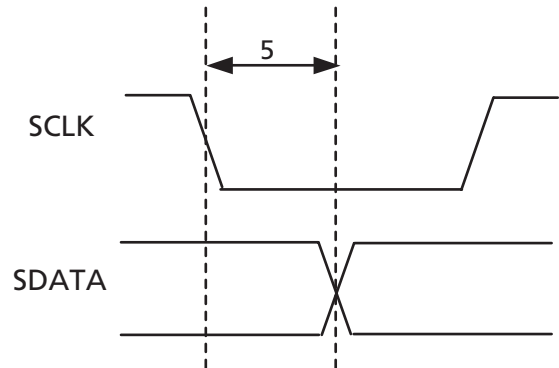
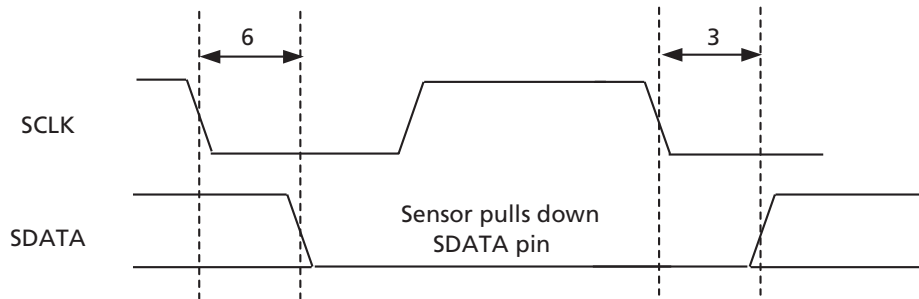
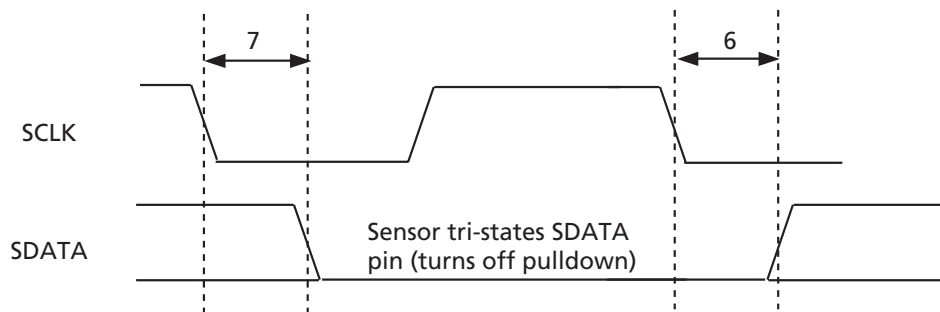


Figure 22: Serial Host Interface Data Timing for Read



NOTE: SDATA is pulled low by sensor or allowed to pull high by pull-up resistor off-chip

NOTE: All timing in units of master clock cycle


Figure 23: Acknowledge Signal Timing After an 8-bit Write to the Sensor

Figure 24: Acknowledge Signal Timing After an 8-bit Read From the Sensor

NOTE:

After a read, the master receiver must pull down SDATA to acknowledge receipt of data bits. When read sequence is complete, the master must generate a no acknowledge by leaving SDATA to float HIGH. On the following cycle, a start or stop bit may be used.



Quantum Efficiency

Figure 25: Quantum Efficiency

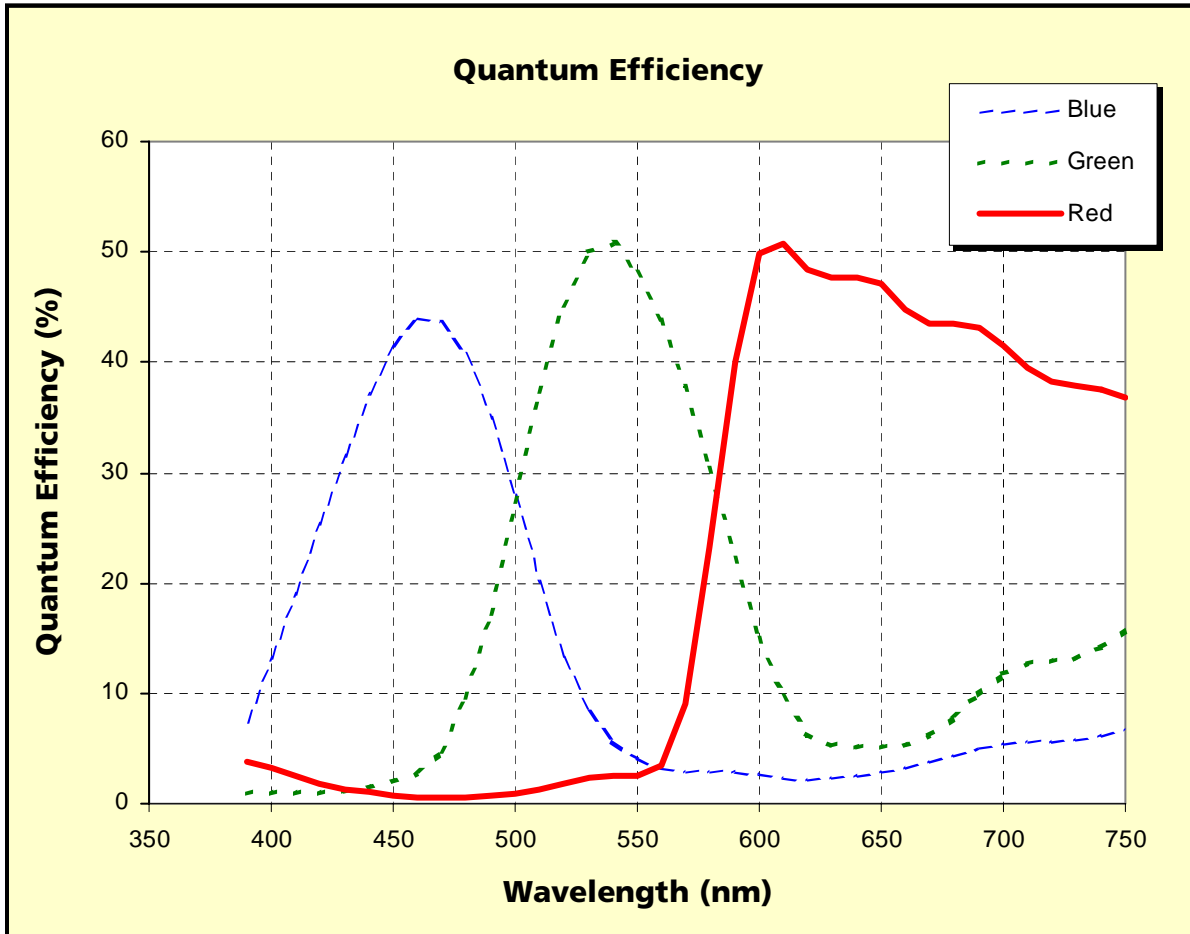




Image Center Offset and Orientation

Figure 26: Image Center Offset

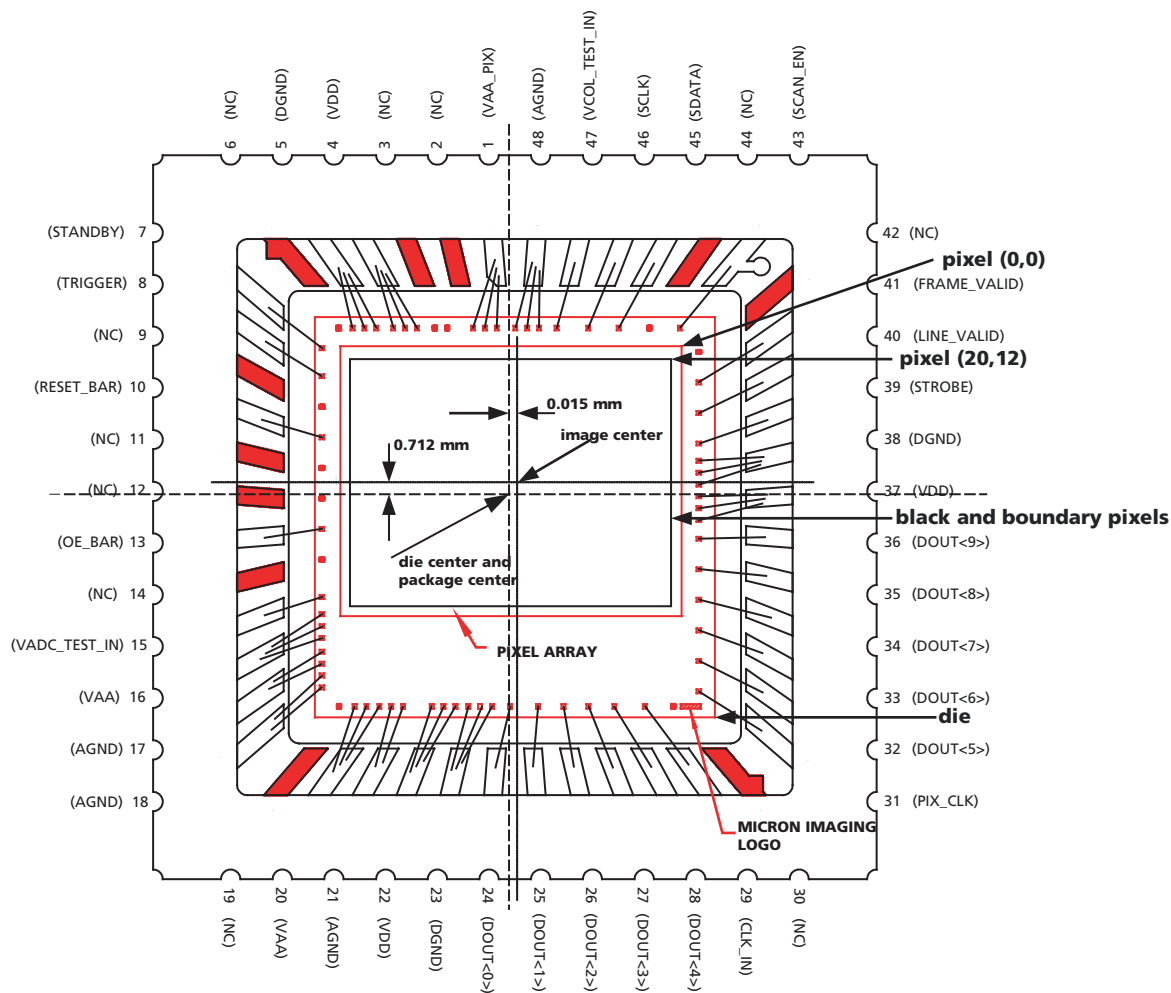


Table 10: Optical Area Dimensions

OPTICAL AREA	PIXEL	X-DIMENSION	Y-DIMENSION
SXGA	Center of pixel (20, 12)	3340.70µm	3372.45µm
	Center of Pixel (1,299, 1,035)	-3315.2µm	-1952.35µm

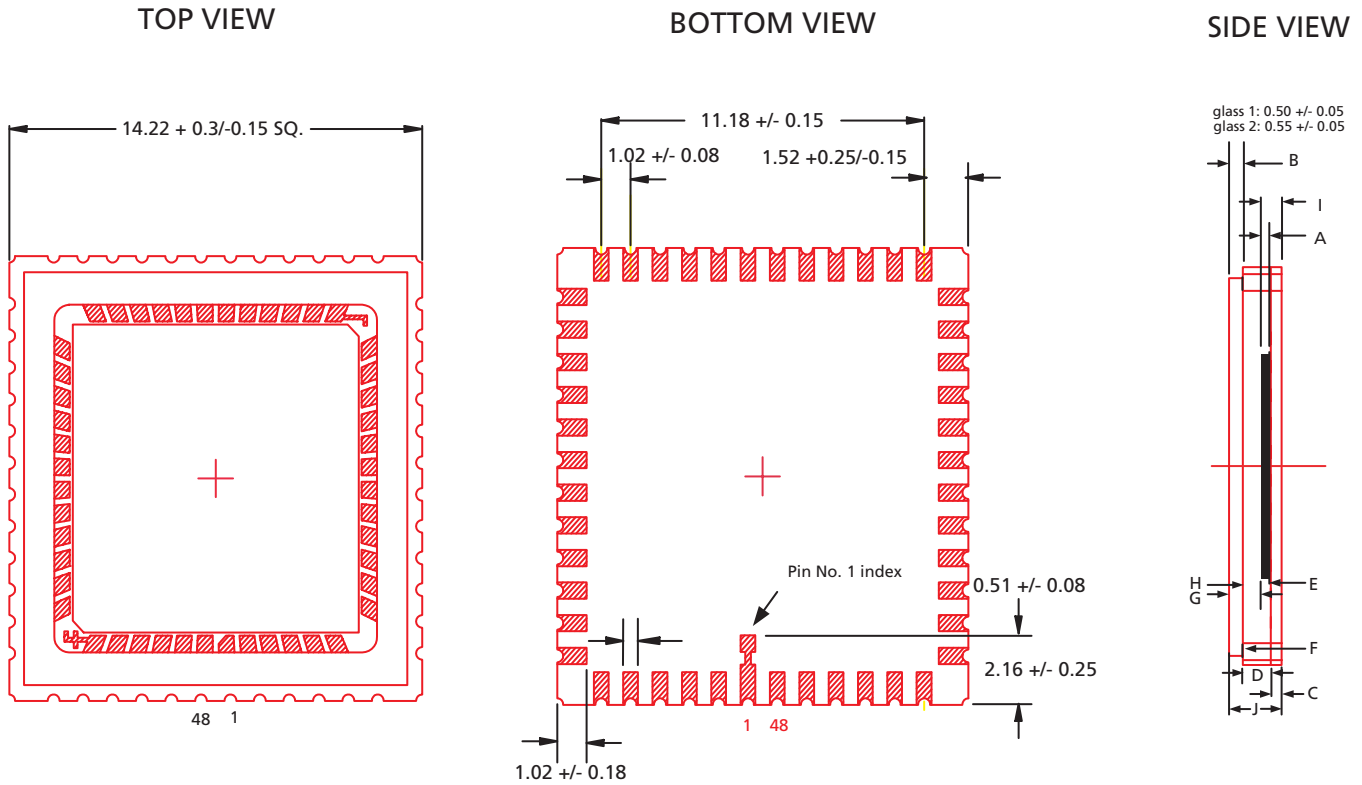
NOTE:

- X and Y coordinates referenced to center of die.
- Die center = package center.
- Image center offset from package center (x = 0.015mm, y = 0.712mm).

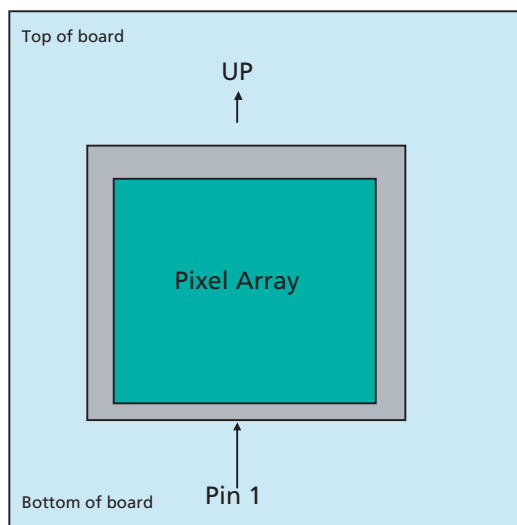


1/2-INCH 1.3 MEGAPIXEL CMOS ACTIVE-PIXEL DIGITAL IMAGE SENSOR

Figure 27: Package Drawings



Description	mm		
	nominal	min	max
A Die thickness	0.725	0.705	0.745
B Glass thickness	0.525	0.450	0.600
C Base layer thickness	0.510	0.460	0.560
D Dam thickness	1.140	1.010	1.270
E Die attach bondline thickness	0.035	0.020	0.050
F Glass attach bondline thickness	0.035	0.020	0.050
G Sensor array to outer glass lid	0.940	0.685	1.195
H Sensor array to inner glass lid (air gap)	0.415	0.235	0.595
I Sensor array to seating plane	1.270	1.185	1.355
J Package total thickness	2.210	1.940	2.480


Figure 28: Optical Orientation


Specification of Sensor Quality

Pixel Quality

A sensor shall be considered “good and billable” if it meets or exceeds the following criteria as determined by Micron during outgoing inspection.

1. The sensor passes the electrical specifications set forth in the MT9M001 product data sheet.
2. The sensor passes the pixel defect specification set forth herein.

is 10% above or below the mean of a neighbor pixel of the same color plane in a 13x13 pixel array at 50% ADC range.

Cluster defect is defined as any two point defect pixels of the same color within a 3 x 3 array.

If any 2 Rxx are bad, it is a cluster defect. If any 2 Gxx are bad, it is a cluster defect. If 1 Rxx and 1 Gxx are bad, it is not a cluster defect.

Grade: A sensor shall be judged defective if it has either a) any cluster defects, or b) more than 20 point defects.

**Table 11: Example of a Cluster Defect:
In the 3 x 3 Array**

R11	G12	R13
G21	B22	G23
R31	G32	R33

Data Sheet Designation

Preliminary: This data sheet contains initial characterization limits that are subject to change upon full characterization of production devices.

Defect Specification

Point defect is defined as - Any pixel that produces an electrical signal that does not vary with illumination or any pixel that produces an electrical signal that



8000 S. Federal Way, P.O. Box 6, Boise, ID 83707-0006, Tel: 208-368-3900

E-mail: prodmktg@micron.com, Internet: <http://www.micron.com>, Customer Comment Line: 800-932-4992

Micron, the M logo, and the Micron logo are trademarks and/or service marks of Micron Technology, Inc.

All other trademarks are the property of their respective owners.