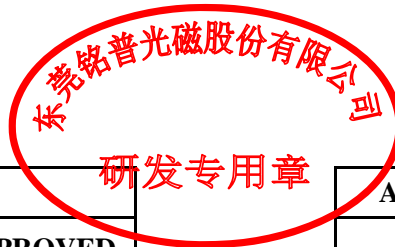


Product Specification for Approval

WE ARE PLEASED IN SUBMITTING OUR SAMPLES WITH SPECIFICATION TO YOU FOR APPROVAL.

CUSTOMER	:	
DESCRIPTION	:	10/100 BASE-T TRANSFORMER
MNC P/N	:	H4001CG
VERSION	:	A0
CUSTOMER P/N	:	
ISSUED DATE	:	2020/04/27
PHOTO OF PRODUCT	:	
WEIGHT	:	2.58g
MADE IN	:	CHINA

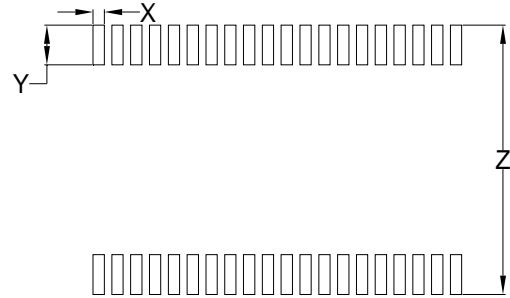
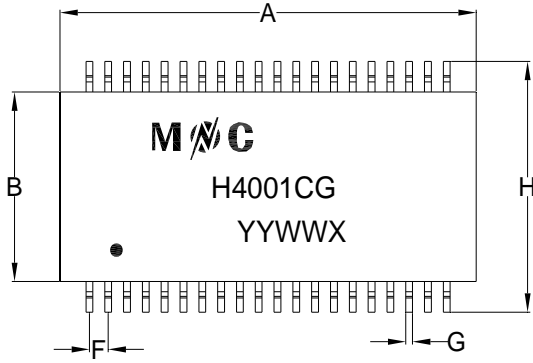
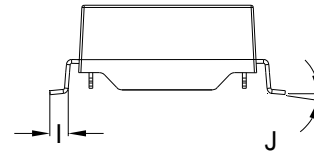
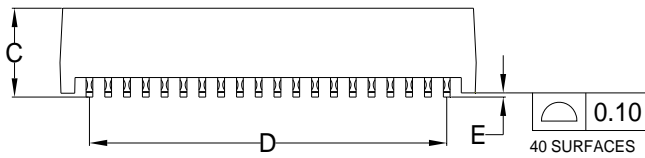


APPROVED BY MNC			APPROVED BY CUSTOMER
PREPARED BY	CHECKED BY	APPROVED BY	SIGNATURE OR STAMP
<div style="border: 1px solid blue; border-radius: 50%; width: 60px; height: 60px; margin: 0 auto; display: flex; flex-direction: column; justify-content: center; align-items: center;"> <div style="color: blue; font-weight: bold; margin-bottom: 5px;">研发部</div> <div style="color: blue; font-size: small; margin-bottom: 5px;">2020-04-27</div> <div style="color: blue; font-weight: bold; margin-bottom: 5px;">符晶晶</div> </div>	<div style="border: 1px solid blue; border-radius: 50%; width: 60px; height: 60px; margin: 0 auto; display: flex; flex-direction: column; justify-content: center; align-items: center;"> <div style="color: blue; font-weight: bold; margin-bottom: 5px;">研发部</div> <div style="color: blue; font-size: small; margin-bottom: 5px;">2020-04-27</div> <div style="color: blue; font-weight: bold; margin-bottom: 5px;">肖明华</div> </div>	<div style="border: 1px solid blue; border-radius: 50%; width: 60px; height: 60px; margin: 0 auto; display: flex; flex-direction: column; justify-content: center; align-items: center;"> <div style="color: blue; font-weight: bold; margin-bottom: 5px;">研发部</div> <div style="color: blue; font-size: small; margin-bottom: 5px;">2020-04-27</div> <div style="color: blue; font-weight: bold; margin-bottom: 5px;">何校民</div> </div>	

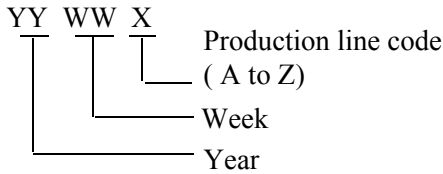
1. PLEASE SEND BACK US A COPY OF THE SPECIFICATION WITH YOUR STAMP OR SIGNATURE ONCE THE SAMPLES APPROVED.
2. IT WILL BE DEEMED THE SAMPLES TO BE APPROVED IF NO FEEDBACK.

东莞铭普光磁股份有限公司
Add: Shipai Town, Dongguan City, Guangdong Province, China

TEL: +86-769-86921000
FAX: +86-769-81701563

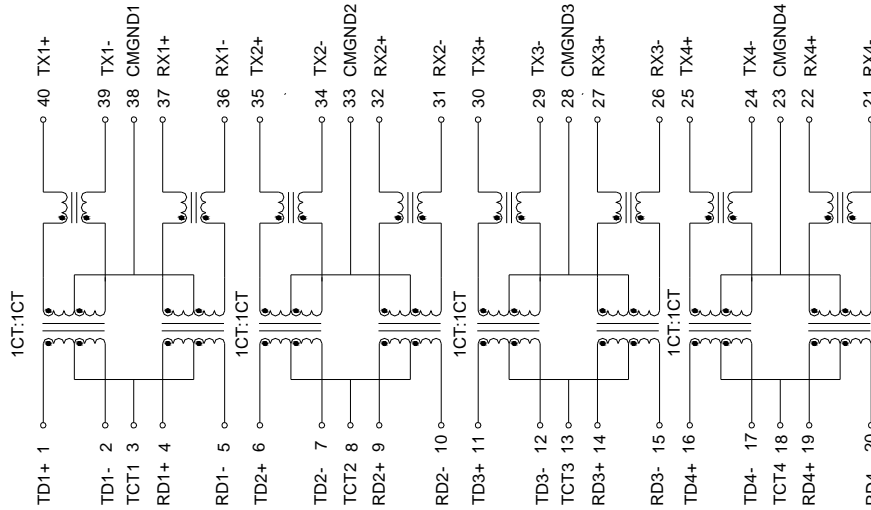
SPECIFICATION
Part No. H4001CG
A. MECHANICAL:

SUGGESTED PAD LAYOUT


Note: Laser printing marking

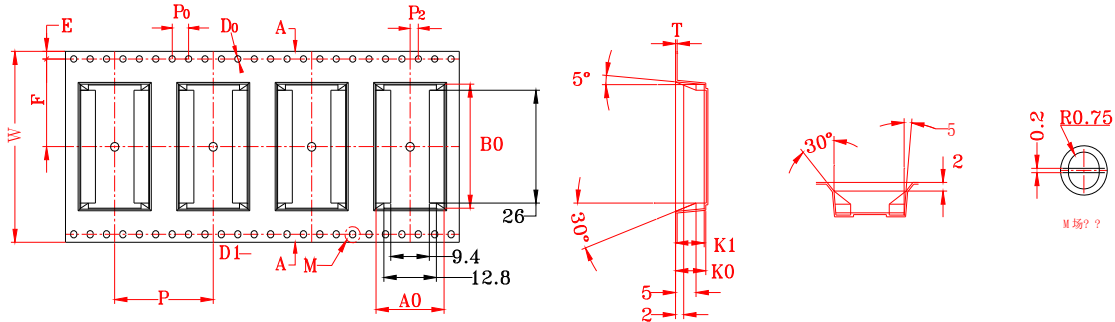


1. UNITS: mm/inch.
2. UNLESS OTHERWISE SPECIFIED ALL TOLERANCES ARE: TYPICAL
3. PIN LENGTH DON'T INCLUDE SOLDER POINT

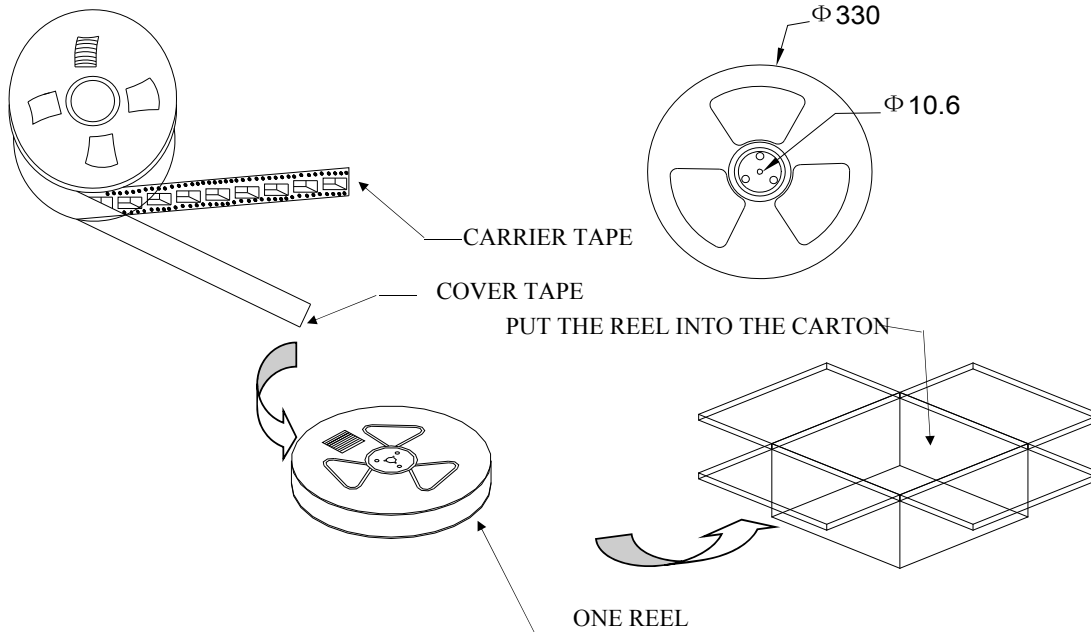
DIM	MILLIMETERS			INCHES		
	MIN	NOM	MAX	MIN	NOM	MAX
A	27.60	28.10	28.60	1.087	1.106	1.126
B	11.60	12.10	12.60	0.457	0.476	0.496
C	/	/	6.40	/	/	0.252
D	23.63	24.13	24.63	0.930	0.950	0.970
E	0.15	0.30	0.45	0.006	0.012	0.018
F	/	1.27	/	/	0.050	/
G	/	0.46	/	/	0.018	/
H	15.50	16.00	16.50	0.610	0.630	0.650
I	/	0.90	/	/	0.035	/
J	0°	/	8°	0°	/	8°
X	/	0.76	/	/	0.030	/
Y	/	2.54	/	/	0.100	/
Z	/	17.20	/	/	0.677	/

SPECIFICATION
Part No. H4001CG
B. SCHEMATIC :

C. ELECTRICAL SPECIFICATION @25°C

ITEM	SPECIFICATION	TEST CONDITION	TEST EQUIPMENT
INDUCTANCE :	350uH MIN.	100KHz 0.2V 8mA DC Bias	TH2819XB OR EQU.
LEAKAGE INDUCTANCE :	0.50uH MAX.	100KHz 0.2V	TH2819XB OR EQU.
INTERWINDING CAPACITANCE :	50pF TYP.	100KHz 0.2V	TH2819XB OR EQU.
DC RESISTANCE ;	1.2Ω MAX.	AT 25 °C	TOS 8020 OR EQU.
TURNS RATIO :	1CT:1CT(TX)/1CT:1C T(RX)±2%		TH2819XB OR EQU.
POLARITY :	1-40,4-37,6-35,9-32,11- 30,14-27,16-25,19-22 IN-PHASE		
INSERTION LOSS :	-1.1dB MAX.	0.5-100 MHz	E5061A OR EQU.
RETURN LOSS :	-18dB MIN.	0.5-30 MHz	E5061A OR EQU.
	-18+20*log(f/30)dB MIN.	30.1-60MHz	
	-12dB MIN.	60.1-80MHz	
CROSS TALK :	-35dB MIN.	0.5-40 MHz	E5061A OR EQU.
	-33+20*log(f/50)dB MIN.	40.1-100 MHz	
DCMR :	-30dB MIN.	0.5-100 MHz	E5061A OR EQU.
CMRR :	-30dB MIN.	0.5-100 MHz	E5061A OR EQU.
ISOLATION HI-POT :PRI TO SEC	1500VAC	1mA,60S	7152AB OR EQU.
	1650VAC	1mA,6S	
OPERATING TEMPERATURE	0°C TO 70°C		

PACKAGE
Part No. H4001CG
D. PACKING:
a. PACKAGING AS BELOW (ONLY FOR A REFERENCE):


ITEM	W	A ₀	B ₀	K ₀	K ₁	P	F	E	D ₀	D ₁	P ₀	P ₂	T
DIM	44.0 ^{+0.30} _{-0.30}	16.60 ^{+0.10} _{-0.10}	28.40 ^{+0.10} _{-0.10}	7.50 ^{+0.10} _{-0.10}	7.00 ^{+0.10} _{-0.10}	24.00 ^{+0.10} _{-0.10}	20.2 ^{+0.10} _{-0.10}	1.75 ^{+0.10} _{-0.10}	1.50 ^{+0.10} _{-0.10}	2.00 ^{+0.10} _{-0.10}	4.00 ^{+0.10} _{-0.10}	2.00 ^{+0.10} _{-0.10}	0.40 ^{+0.05} _{-0.05}
ALTERNATE													


b. Q'TY:

 400 PCS PER REEL
 5 REELS PER CARTON
 2000 PCS PER CARTON

c. LABEL:

REMARK:

ABOVE PACKING IS FOR YOUR REFERENCE ONLY, WHICH MIGHT BE CHANGED WITHOUT NOTICE.

MATERIAL LIST
Part No. H4001CG
E.BOM

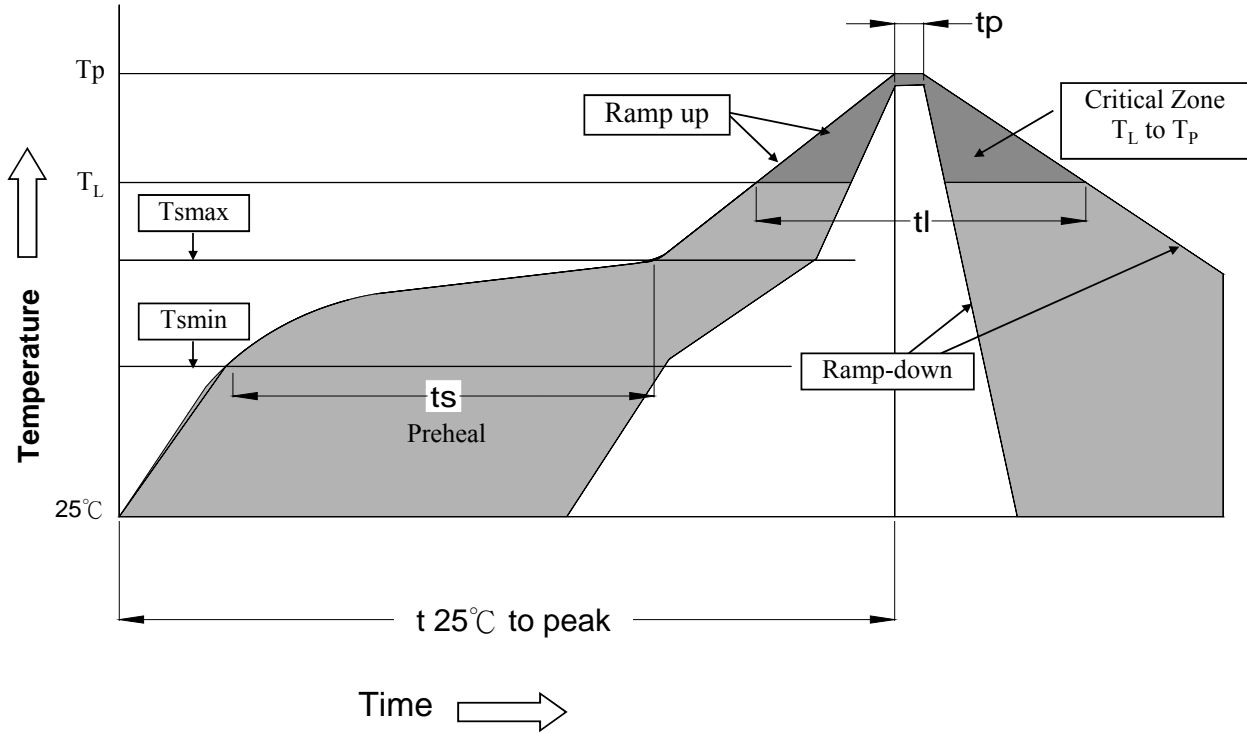
MATERIAL LIST					
NO.	ITEM	MATERIAL	RATING	SUPPLIER OF MATERIAL	UL
1	CORE	Mn-Zn	-----	YEAN SHING	N/A
			-----	ZHONGSHAN CRC ELECTRONICS FACTORY	N/A
		Ni-Zn	-----	YEAN SHING	N/A
			-----	ZHONGSHAN CRC ELECTRONICS FACTORY	N/A
2	COPPER WIRE	QPN180	180°C	ZHUHAI SUNTEK WIRE CO.,LTD	E234867
		Polysol 180	180°C	ELEKTRISOLA(MALAYSIA) SDN.BHD.	E258243
3	CASE	WH-9100	V-0	WAH HONG INDUSTRIAL CORP	E150608
4	PIN	C5191	-----	SHENZHEN MINGSCHIN INDUSTRIAL MATERIAL CO.,LTD	N/A

RECOMMENDED REFLOW SOLDERING PROFILE

Part No. H4001CG

a. RECOMMENDED REFLOW SOLDERING PROFILE:

below content is only for your reference



- T_L = 217°C
- T_p = 245°C
- t_s = 60-180s T_s max = 200°C T_s min = 150°C
- t_L = 60-150s t_p = 20-40s T_{25°C to peak} = 8min max
- Ramp up rate = 3°C/s max Ramp down rate = 6°C/s max

- *RoHS Compliant
- *Solder Paste SAC 305 Sn 96.5/Ag 3.0/Cu 0.5
- *Silkscreen thickness: 0.15mm Min

b. MOISTURE SENSITIVE LEVEL:

- b.1. LEVEL: 1
- b.2. SHELF LIFE: UNLIMITED
- b.3. STORAGE CONDITION: ≅ 30°C/85% RH