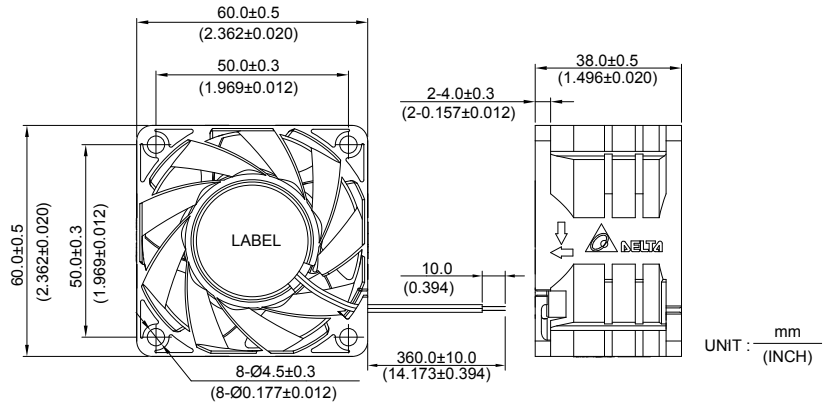


New



PFR 60 x 60 x 38 MM SERIES

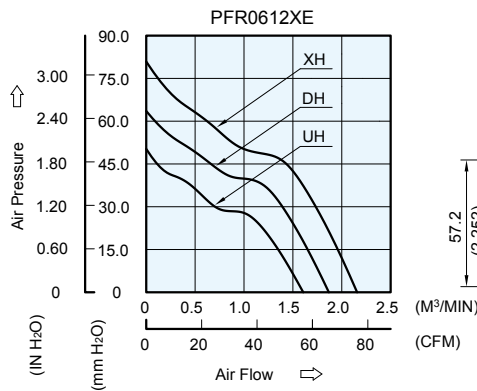
■ DIMENSIONS DRAWING



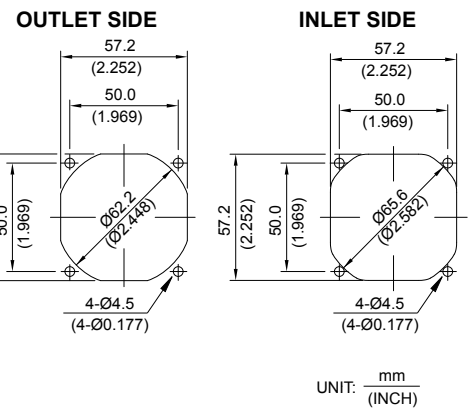
UNIT : $\frac{\text{mm}}{\text{(INCH)}}$

- * Bearing Type
Ball Bearings
- * Material
Impeller & Frame: Plastic (UL 94V-0)
- * Lead Wires :
UL 1061 AWG #22 OR Equivalent
Red Wire Positive(+)
Black Wire Negative(-)
- * Weight : 130g (4.59 oz)

■ P & Q CURVE (AT RATED VOLTAGE)



■ MOUNTING PANEL CUTOUT



UNIT : $\frac{\text{mm}}{\text{(INCH)}}$

MODEL		Rated Voltage	Operating Voltage Range	Input Current	Input Power	Speed	Maximum Air Flow		Maximum Air Pressure		Noise
PART NO.	FUNCTION	VDC	VDC	Amp	Watt	R.P.M.	m ³ /min	CFM	mmH ₂ O	IN H ₂ O	dB-A
PFR0612UHE	-R00 / -F00	12	7.0 to 13.2	1.00	12.00	12500	1.606	56.70	50.27	1.979	60.2
PFR0612DHE	-R00 / -F00	12	7.0 to 13.2	1.60	19.20	14500	1.868	65.95	63.56	2.502	63.3
PFR0612XHE	-R00 / -F00	12	7.0 to 13.2	2.30	27.60	16500	2.157	76.16	80.90	3.185	67.7

* Function type is optional.
 * The max. air flow and the speed are measured in free air ; max. air pressure is measured at zero air flow.
 * Noise is measured in anechoic chamber in free air, one meter from intake side.
 * All readings are typical values at rated voltage.
 * Specifications are subject to change without notice.